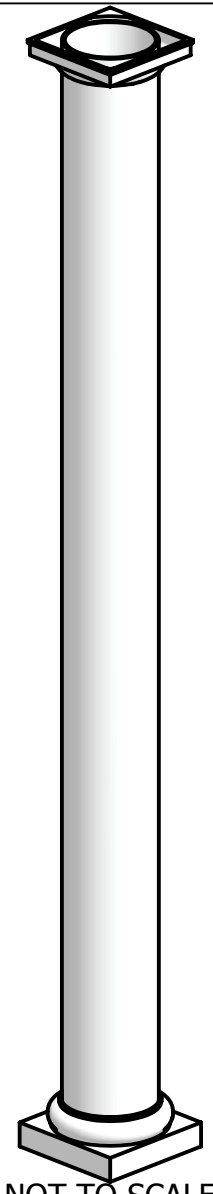
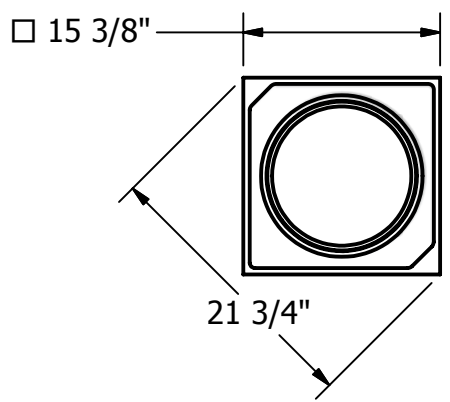
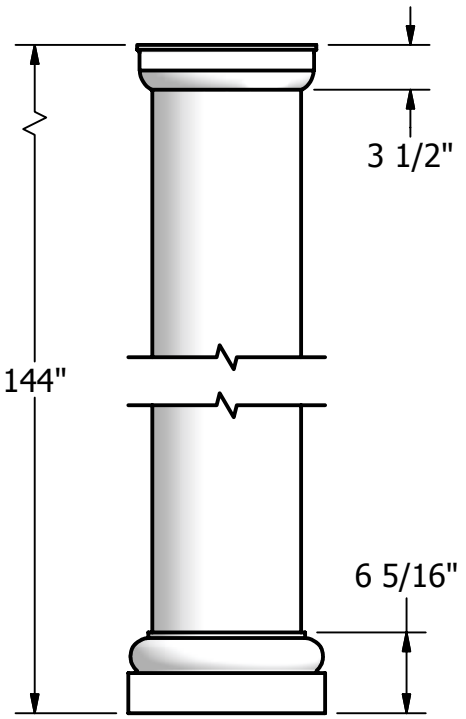
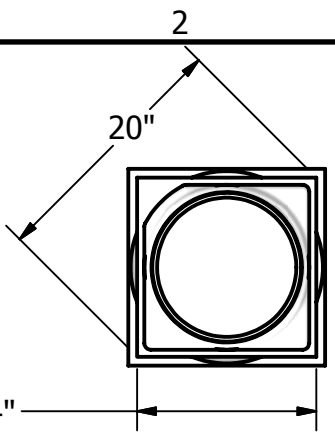




- NOTES:**
1. MATERIAL: FIBERGLASS REINFORCED POLYMER (FRP)
  2. WEIGHT: COLUMN: 141 Lbs.  
CAP: 12 Lbs.  
BASE: 16.5 Lbs.
  3. MATERIAL THICKNESS.  
COLUMN: 3/8"
  4. INSIDE DIAMETER AT TOP OF COLUMN: 10 7/8"
  5. OUTSIDE DIAMETER AT TOP OF COLUMN: 11 5/8"
  6. INSIDE DIAMETER AT BOTTOM OF COLUMN: 10 7/8"
  7. OUTSIDE DIAMETER AT BOTTOM OF COLUMN: 11 5/8"



NOT TO SCALE

DRAWN	Bryan Daniels	5/13/2016	 <b>Digger Specialties Inc.</b> <i>Transforming the Outdoor Living Experience</i>	 <b>Westbury</b> COLUMNS				
CHECKED								
QA								
			TITLE					
			Fiberglass Tuscan Round, Non-Tapered 12" x 12'					
DIMENSIONS ARE IN INCHES TOLERANCE: ± 1/4"			SIZE	A	DWG NO	NTSM1212	REV	03
			SCALE	1:15	SHEET 1 OF 1			