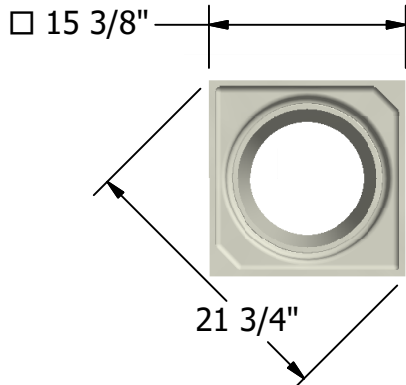
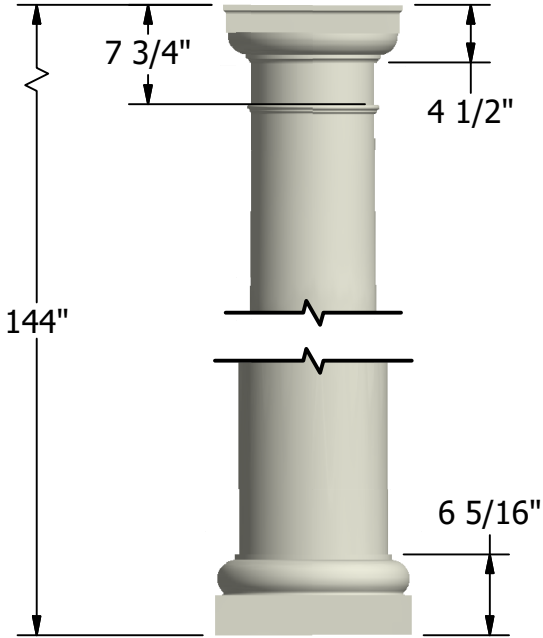
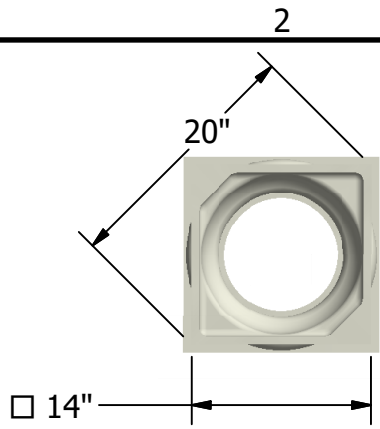



NOTES:

1. MATERIAL: FIBERGLASS REINFORCED POLYMER (FRP)
2. WEIGHT: COLUMN: 141 Lbs.
CAP: 7.5 Lbs.
BASE: 16.5 Lbs.
3. MATERIAL THICKNESS.
COLUMN: 3/8"
4. INSIDE DIAMETER AT TOP OF COLUMN: 8 7/8"
5. OUTSIDE DIAMETER AT TOP OF COLUMN: 9 5/8"
6. INSIDE DIAMETER AT BOTTOM OF COLUMN: 10 7/8"
7. OUTSIDE DIAMETER AT BOTTOM OF COLUMN: 11 5/8"
8. TAPER STARTS FROM BOTTOM OF COLUMN: 40"




NOT TO SCALE

DRAWN	Bryan Daniels	5/11/2016
CHECKED		
QA		
MFG		
APPROVED		



DSI Digger
Specialties
Inc.
Transforming the Outdoor Living Experience



Westbury
COLUMNS

TITLE
Fiberglass Tuscan Round Smooth 12" x 12'

DIMENSIONS ARE IN INCHES
TOLERANCE: ± 1/4"

SIZE	A	DWG NO	SM1212	REV	03
1:15		SHEET 1 OF 1			

2

4

1