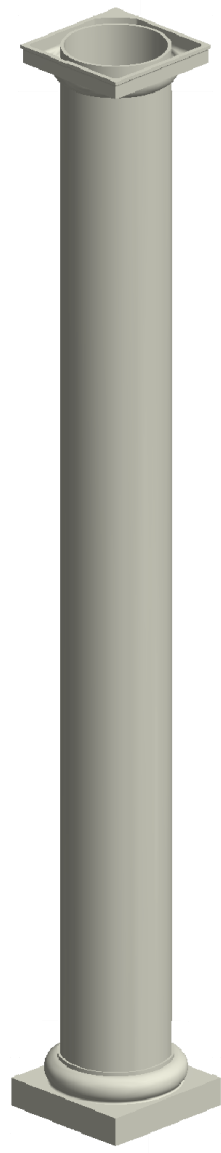
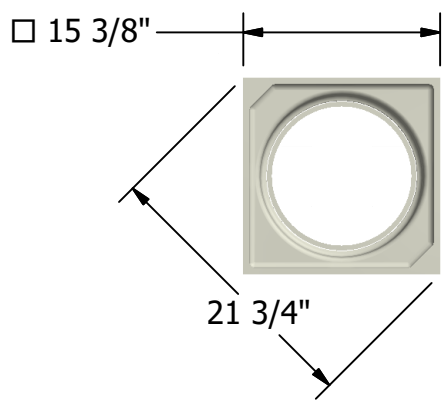
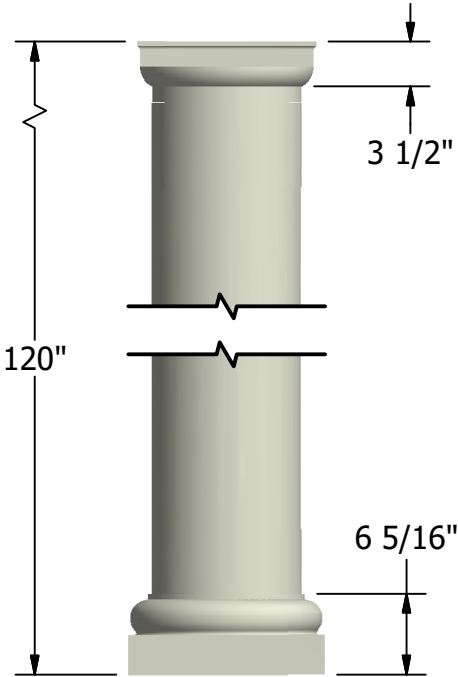
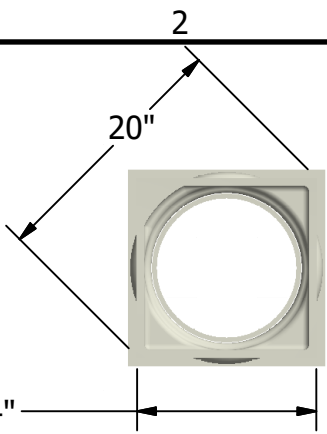




- NOTES:**
1. MATERIAL: FIBERGLASS REINFORCED POLYMER (FRP)
 2. WEIGHT: COLUMN: 115 Lbs.
CAP: 12 Lbs.
BASE: 16.5 Lbs.
 3. MATERIAL THICKNESS.
COLUMN: 3/8"
 4. INSIDE DIAMETER AT TOP OF COLUMN: 10 7/8"
 5. OUTSIDE DIAMETER AT TOP OF COLUMN: 11 5/8"
 6. INSIDE DIAMETER AT BOTTOM OF COLUMN: 10 7/8"
 7. OUTSIDE DIAMETER AT BOTTOM OF COLUMN: 11 5/8"



NOT TO SCALE

DRAWN	Bryan Daniels	5/13/2016	 <i>Transforming the Outdoor Living Experience</i>		
CHECKED					
QA					
MFG					
APPROVED					
DIMENSIONS ARE IN INCHES TOLERANCE: ± 1/4"			TITLE Fiberglass Tuscan Round, Non-Tapered 12" x 10'		
SIZE A		DWG NO	STSM1210	REV	
				03	
		1:15	SHEET 1 OF 1		

2



1