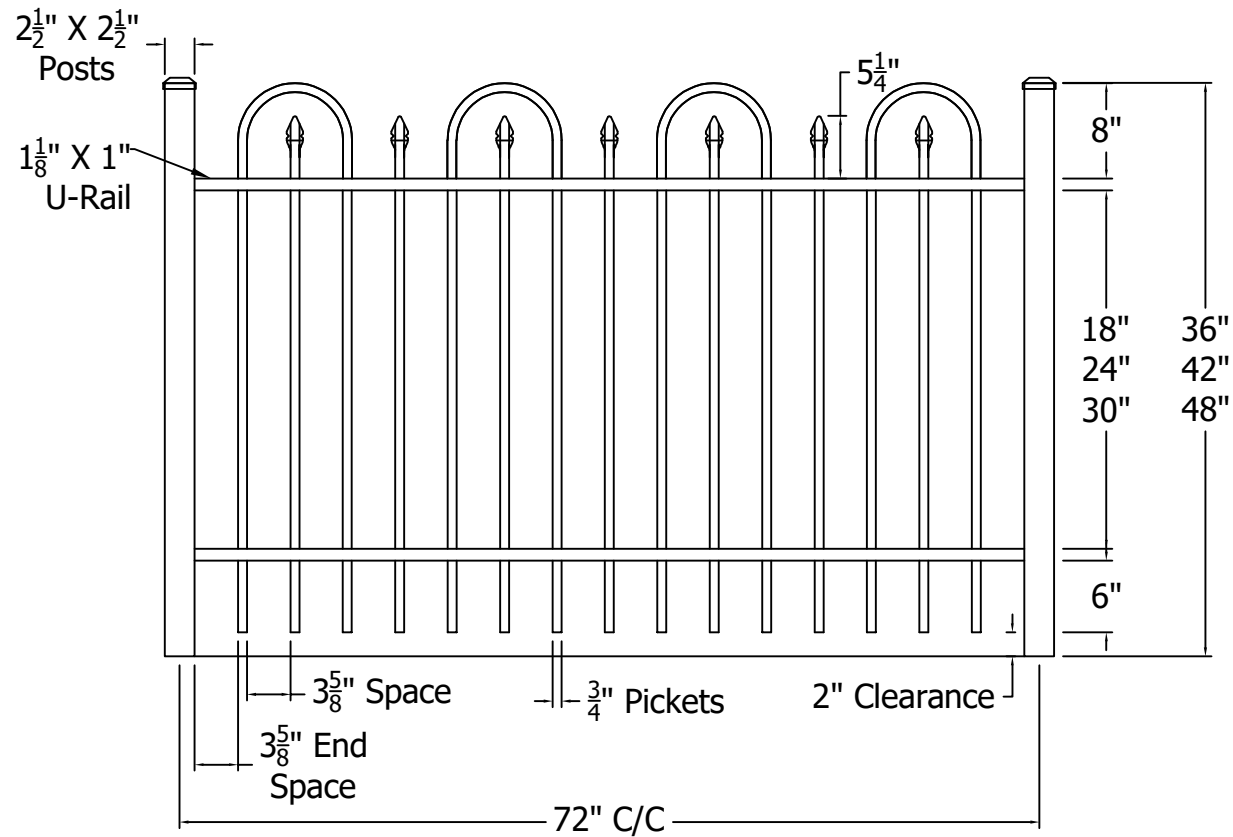







REV.	LOC.	REVISION	DATE



Finial Options	
 Quad	 Triad
 Fleur-de-lis	

	 Digger Specialties Inc. <i>Transforming the Outdoor Living Experience™</i>	DRAWN BY: EH	STYLE:
		DATE DRAWN: 02-19-2021	<b>1124</b>
	3446 US 6 EAST Bremen, IN 46506 diggerspecialties.com	SCALE = 1":1"	AS SHOWN: 72" W 48" T
		DRAFT NO.: 20210219-1E	LOC: Z:\Aluminum\CourtYard\1000 Series\1000 SRS Sections\Updated Standard Drawings
4	3	2	1

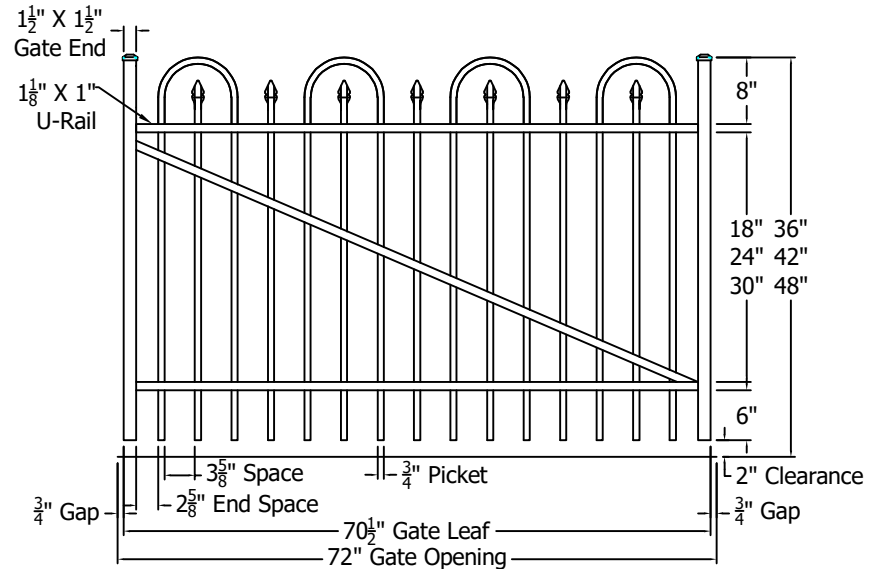
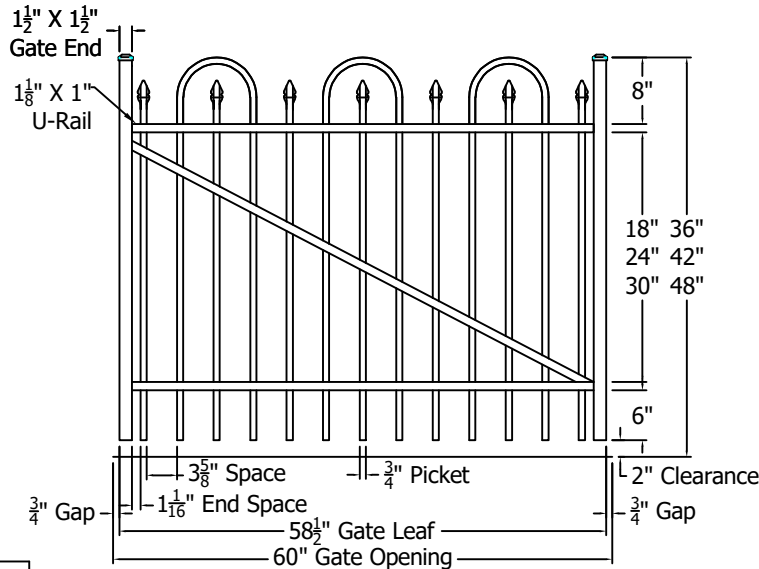
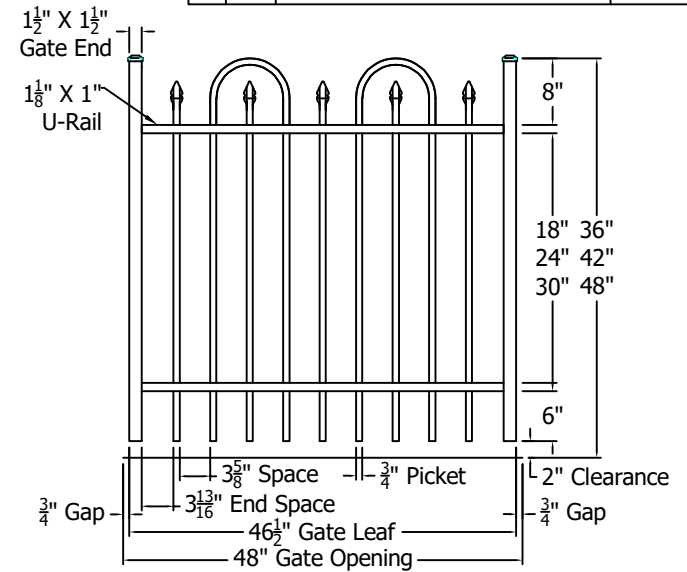
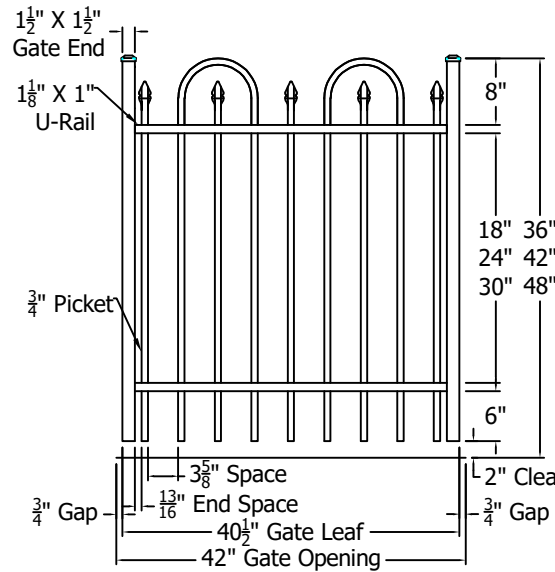
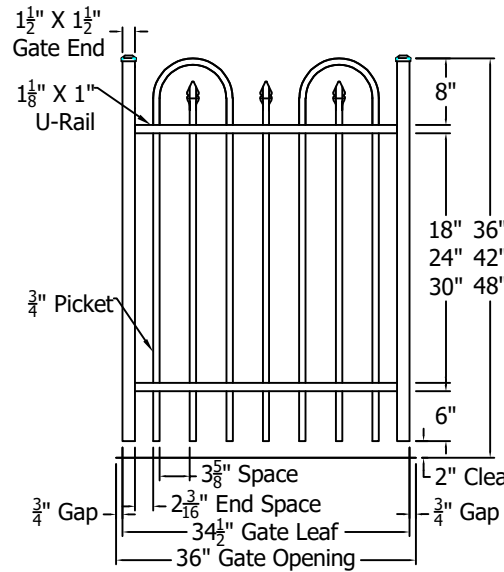
D

C

B

A

REV.	LOC.	REVISION	DATE



Finial Options	
Quad	Triad
Fleur-de-lis	

	<p>3446 US 6 EAST Bremen, IN 46506 diggerspecialties.com</p>	DRAWN BY: EH DATE DRAWN: 02-19-2021	STYLE: <b>1124 Standard Gates</b>
		SCALE = 1":1"	AS SHOWN: 48" T
		DRAFT NO.: 20210219-1E	LOC: Z:\Aluminum\CourtYard\1000 Series\1000 SRS Gates\Updated Standard Drawings
		REV. A	

4

3

2

1

D

C

B

A