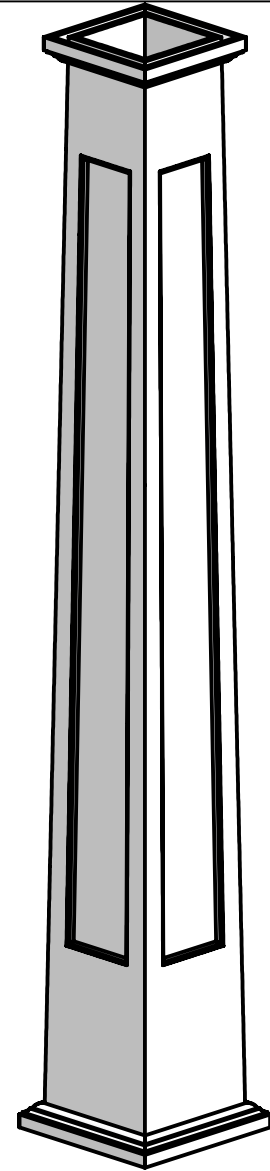
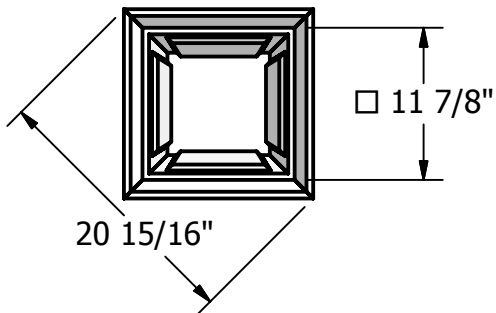
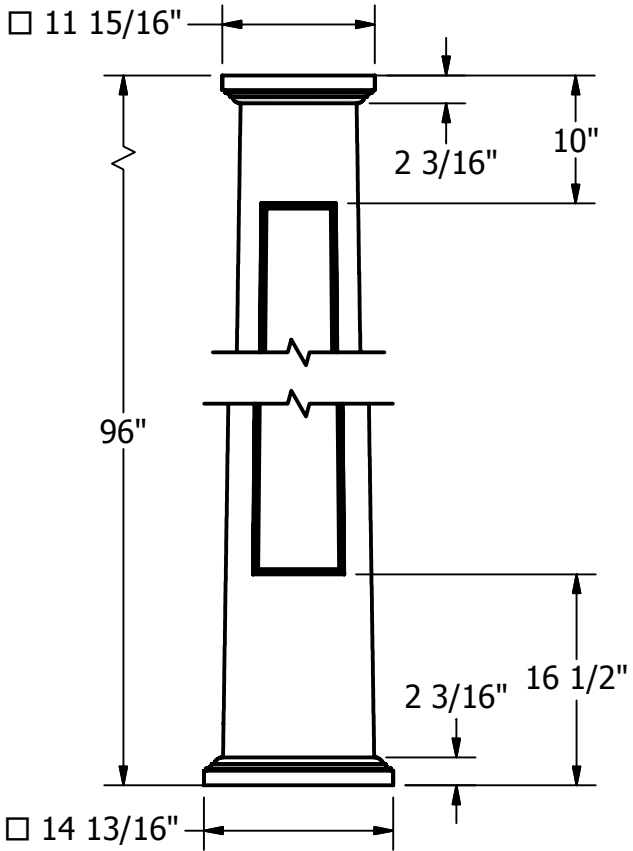


2

1

NOTES:

1. MATERIAL: FIBERGLASS REINFORCED POLYMER (FRP)
2. WEIGHT: COLUMN: 120 Lbs.  
CAP: 2.5 Lbs.  
BASE: 2.5 Lbs.
3. MATERIAL THICKNESS.  
COLUMN: 1/2"
4. INSIDE DIAMETER AT TOP OF COLUMN: 7 3/8"
5. OUTSIDE DIAMETER AT TOP OF COLUMN: 9"
6. INSIDE DIAMETER AT BOTTOM OF COLUMN: 10 7/8"
7. OUTSIDE DIAMETER AT BOTTOM OF COLUMN: 11 7/8"



NOT TO SCALE

DRAWN	Bryan Daniels	4/1/2016
CHECKED		
QA		
APPROVED		



TITLE  
Fiberglass Craftsman Recessed 11 7/8" x 9" x 8'

DIMENSIONS ARE IN INCHES  
TOLERANCE: ± 1/4"

SIZE	A	DWG NO	SQTRP120908	REV	03
SCALE	1:15	SHEET 1 OF 1			

2

1