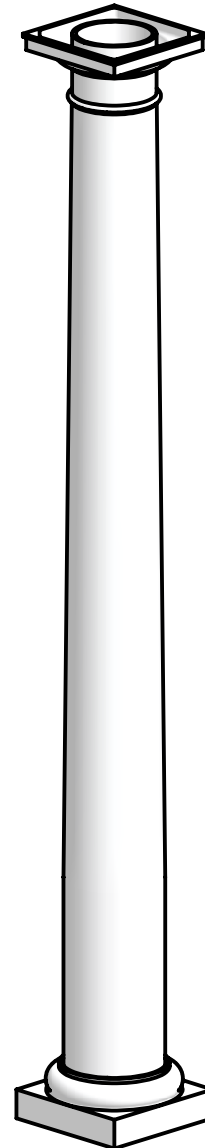
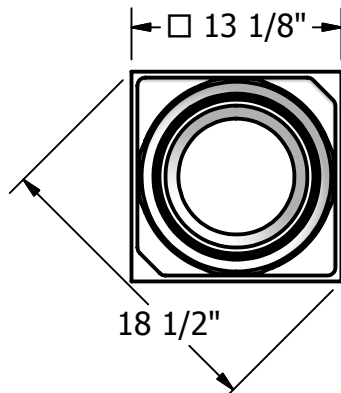
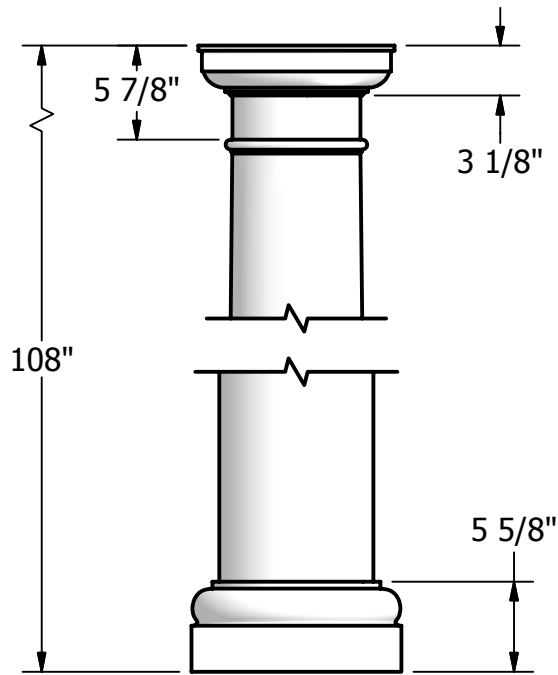
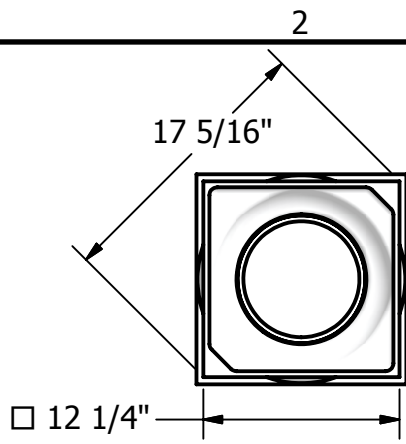



NOTES:

1. MATERIAL: FIBERGLASS REINFORCED POLYMER (FRP)
2. WEIGHT: COLUMN: 85 Lbs.
CAP: 6 Lbs.
BASE: 11.5 Lbs.
3. MATERIAL THICKNESS.
COLUMN: 3/8"
4. INSIDE DIAMETER AT TOP OF COLUMN: 7 1/4"
5. OUTSIDE DIAMETER AT TOP OF COLUMN: 8"
6. INSIDE DIAMETER AT BOTTOM OF COLUMN: 8 7/8"
7. OUTSIDE DIAMETER AT BOTTOM OF COLUMN: 9 5/8"
8. TAPER STARTS FROM BOTTOM OF COLUMN: 24"




NOT TO SCALE

DRAWN	Bryan Daniels	5/10/2016
CHECKED		
QA		
MFG		
APPROVED		



DSI Digger
Specialties
Inc.
Transforming the Outdoor Living Experience



Westbury
COLUMNS

TITLE
Fiberglass Tuscan Round, Smooth 10" x 9'

DIMENSIONS ARE IN INCHES
TOLERANCE: ± 1/4"

SIZE	A	DWG NO	SM1009	REV	03
SCALE	1:12	SHEET 1 OF 1			

2

1