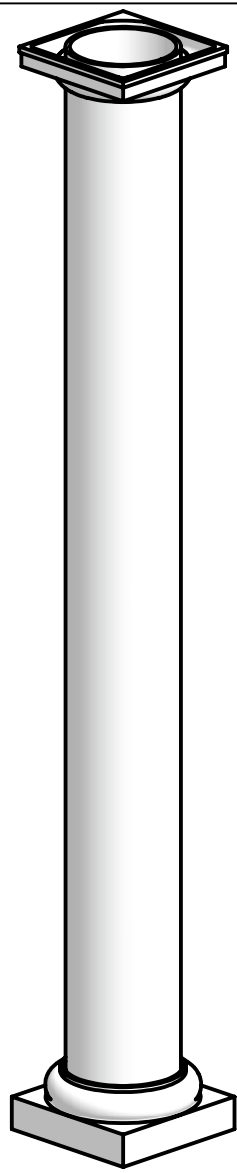
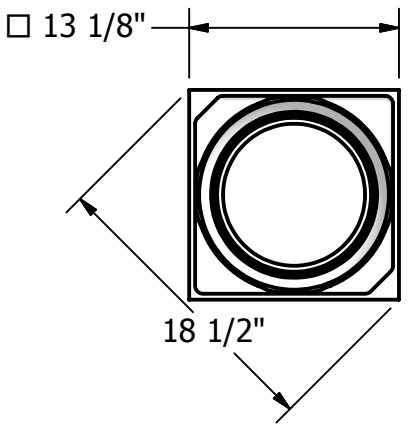
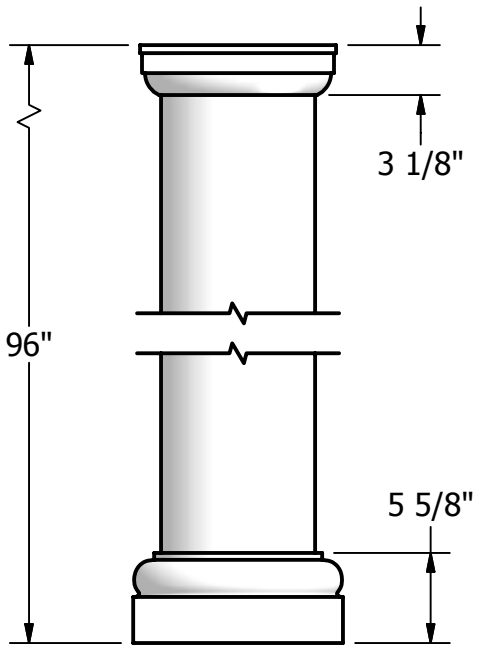
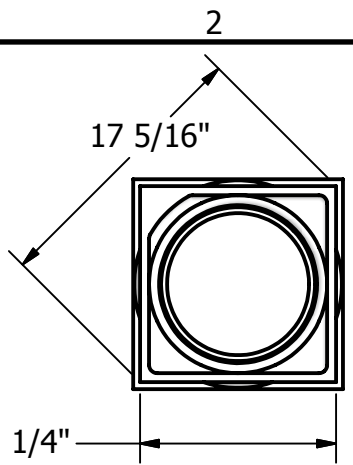


↓


1

- NOTES:**
1. MATERIAL: FIBERGLASS REINFORCED POLYMER (FRP)
 2. WEIGHT: COLUMN: 78 Lbs.
CAP: 5 Lbs.
BASE: 11.5 Lbs.
 3. MATERIAL THICKNESS.
COLUMN: 3/8"
 4. INSIDE DIAMETER AT TOP OF COLUMN: 8 7/8"
 5. OUTSIDE DIAMETER AT TOP OF COLUMN: 9 5/8"
 6. INSIDE DIAMETER AT BOTTOM OF COLUMN: 8 7/8"
 7. OUTSIDE DIAMETER AT BOTTOM OF COLUMN: 9 5/8"




NOT TO SCALE

DRAWN	Bryan Daniels	5/12/2016
CHECKED		
QA		



DSI Digger
Specialties
Inc.
Transforming the Outdoor Living Experience



Westbury
COLUMNS

TITLE
Fiberglass Tuscan Round, Non-Tapered 10" x 8'

DIMENSIONS ARE IN INCHES
TOLERANCE: ± 1/4"

SIZE	A	DWG NO	NTSM1008	REV	03
SCALE	1:12	SHEET 1 OF 1			

2

↑

1