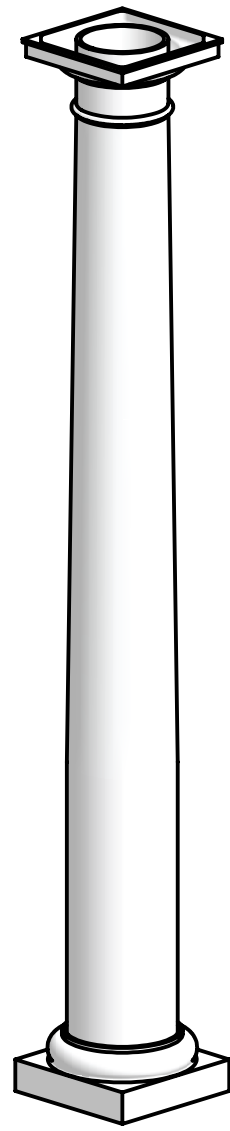
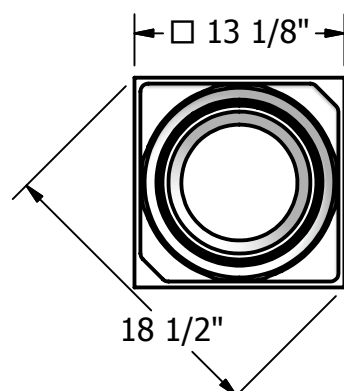
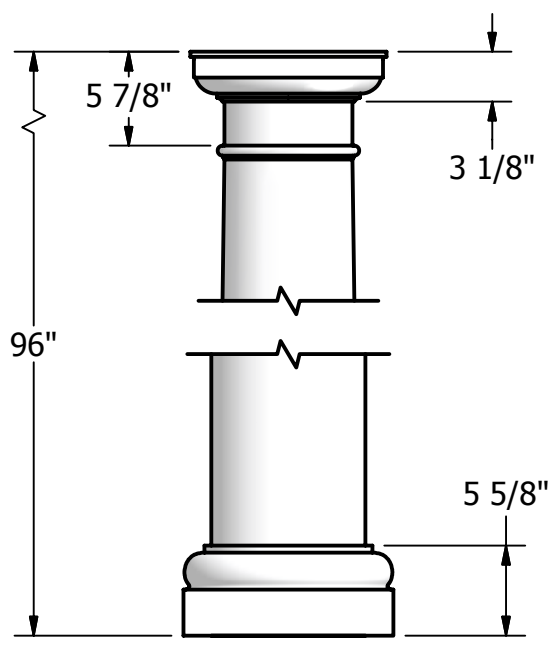
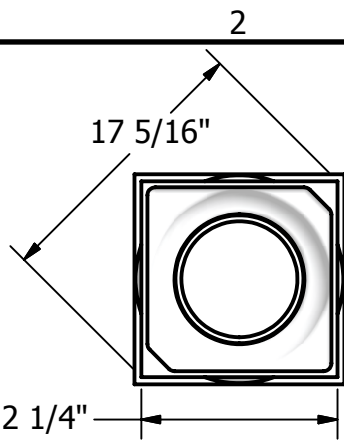




- ↓
- 1
- NOTES:**
1. MATERIAL: FIBERGLASS REINFORCED POLYMER (FRP)
 2. WEIGHT: COLUMN: 75 Lbs.
CAP: 6 Lbs.
BASE: 11.5 Lbs.
 3. MATERIAL THICKNESS.
COLUMN: 3/8"
 4. INSIDE DIAMETER AT TOP OF COLUMN: 7 1/4"
 5. OUTSIDE DIAMETER AT TOP OF COLUMN: 8"
 6. INSIDE DIAMETER AT BOTTOM OF COLUMN: 8 7/8"
 7. OUTSIDE DIAMETER AT BOTTOM OF COLUMN: 9 5/8"
 8. TAPER STARTS FROM BOTTOM OF COLUMN: 30"



DRAWN	Bryan Daniels	5/10/2016
CHECKED		
QA		
MFG		
APPROVED		



DSI Digger
Specialties
Inc.
Transforming the Outdoor Living Experience



Westbury
COLUMNS

TITLE
Fiberglass Tuscan Round, Smooth 10" x 8'

DIMENSIONS ARE IN INCHES
TOLERANCE: ± 1/4"

SIZE	A	DWG NO	SM1008	REV	03
SCALE	1:12	SHEET 1 OF 1			

2

1

