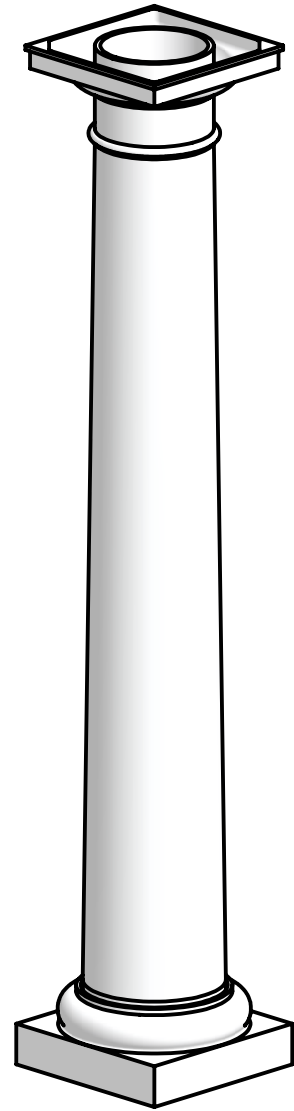
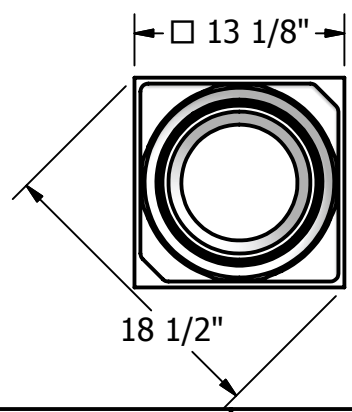
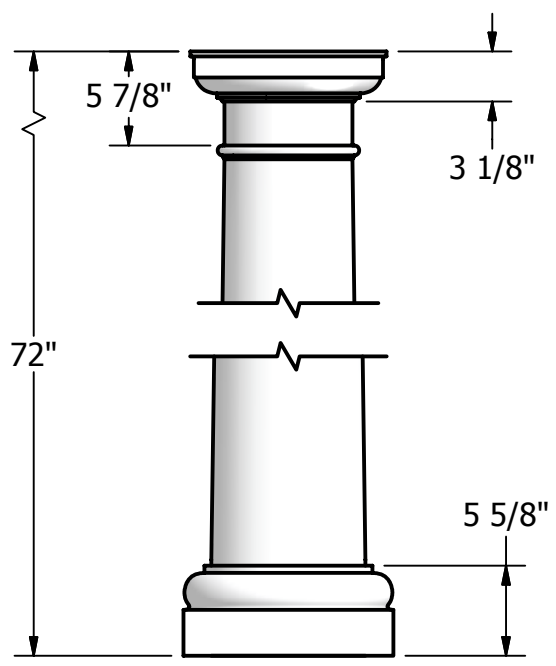
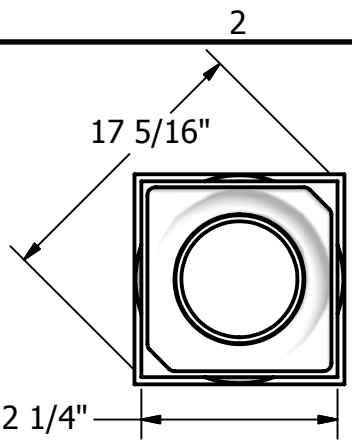



↓

1


- NOTES:**
1. MATERIAL: FIBERGLASS REINFORCED POLYMER (FRP)
 2. WEIGHT: COLUMN: 65 Lbs.
CAP: 6 Lbs.
BASE: 11.5 Lbs.
 3. MATERIAL THICKNESS.
COLUMN: 3/8"
 4. INSIDE DIAMETER AT TOP OF COLUMN: 7 1/4"
 5. OUTSIDE DIAMETER AT TOP OF COLUMN: 8"
 6. INSIDE DIAMETER AT BOTTOM OF COLUMN: 8 7/8"
 7. OUTSIDE DIAMETER AT BOTTOM OF COLUMN: 9 5/8"
 8. TAPER STARTS FROM BOTTOM OF COLUMN: 6"



DRAWN	Bryan Daniels	5/10/2016
CHECKED		
QA		
MFG		
APPROVED		



DSI Digger Specialties Inc.
Transforming the Outdoor Living Experience®



Westbury®
COLUMNS

TITLE
Fiberglass Tuscan Round, Smooth 10" x 6'

SIZE	A	DWG NO	SM1006	REV	03
------	---	--------	--------	-----	----

DIMENSIONS ARE IN INCHES
TOLERANCE: ± 1/4"

SCALE	1:12	SHEET	1	OF	1
-------	------	-------	---	----	---

2

↑

1