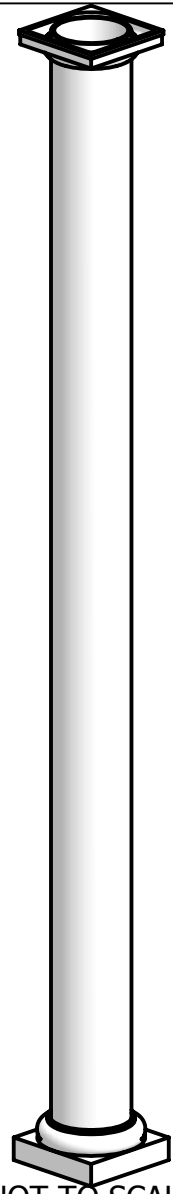
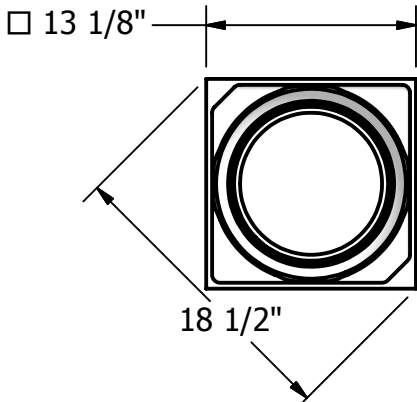
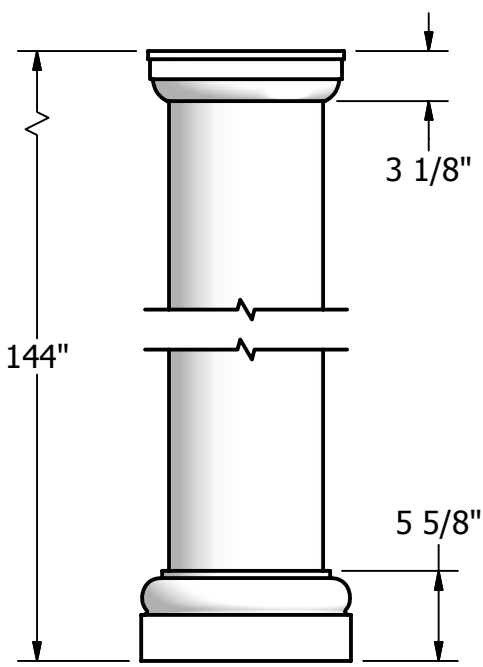
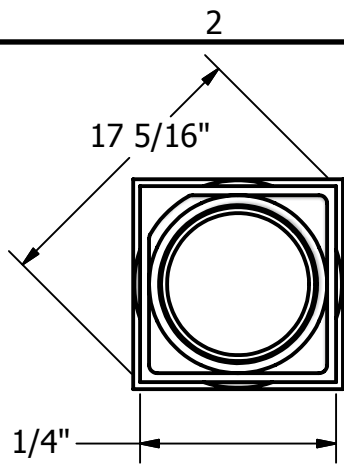




**NOTES:**

1. MATERIAL: FIBERGLASS REINFORCED POLYMER (FRP)
2. WEIGHT: COLUMN: 100 Lbs.  
CAP: 5 Lbs.  
BASE: 11.5 Lbs.
3. MATERIAL THICKNESS.  
COLUMN: 3/8"
4. INSIDE DIAMETER AT TOP OF COLUMN: 8 7/8"
5. OUTSIDE DIAMETER AT TOP OF COLUMN: 9 5/8"
6. INSIDE DIAMETER AT BOTTOM OF COLUMN: 8 7/8"
7. OUTSIDE DIAMETER AT BOTTOM OF COLUMN: 9 5/8"



NOT TO SCALE

|   |               |           |
|---|---------------|-----------|
| DRAWN   | Bryan Daniels | 5/12/2016 |
| CHECKED                                       |               |           |
| QA  |               |           |
|   |               |           |
|   |               |           |
| DIMENSIONS ARE IN INCHES<br>TOLERANCE: ± 1/4" |               |           |

|   |      |   |          |
|---|------|---|----------|
|  |      |  |          |
| TITLE   |      |   |          |
| Fiberglass Tuscan Round, Non-Tapered 10" x 12'                                      |      |   |          |
| SIZE  | A    | DWG NO  | NTSM1012 |
| SCALE   | 1:12 |   | REV 03   |
|   |      | SHEET 1 OF 1  |          |

2

1