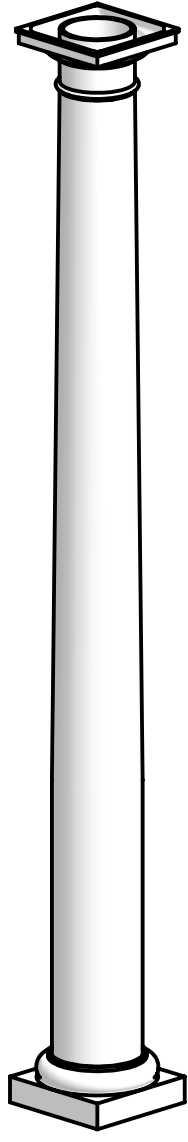
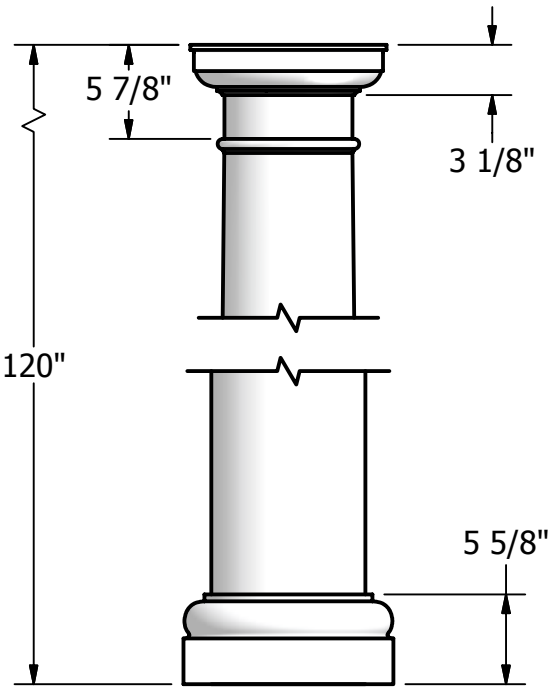


↓

1

- NOTES:**
1. MATERIAL: FIBERGLASS REINFORCED POLYMER (FRP)
 2. WEIGHT: COLUMN: 95 Lbs.
CAP: 6 Lbs.
BASE: 11.5 Lbs.
 3. MATERIAL THICKNESS.
COLUMN: 3/8"
 4. INSIDE DIAMETER AT TOP OF COLUMN: 7 1/4"
 5. OUTSIDE DIAMETER AT TOP OF COLUMN: 8"
 6. INSIDE DIAMETER AT BOTTOM OF COLUMN: 8 7/8"
 7. OUTSIDE DIAMETER AT BOTTOM OF COLUMN: 9 5/8"
 8. TAPER STARTS FROM BOTTOM OF COLUMN: 36"

B



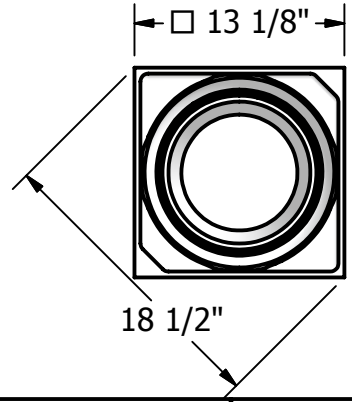
B

↔



↔

A

A



NOT TO SCALE

DRAWN	Bryan Daniels	5/10/2016	 <i>Transforming the Outdoor Living Experience</i>			
CHECKED						
QA						
MFG						
APPROVED						
DIMENSIONS ARE IN INCHES TOLERANCE: ± 1/4"			TITLE Fiberglass Tuscan Round, Smooth 10" x 10'			
SIZE A		DWG NO		REV		
SCALE		1:12		SM1010		
				03		
				SHEET 1 OF 1		

2

↑

1