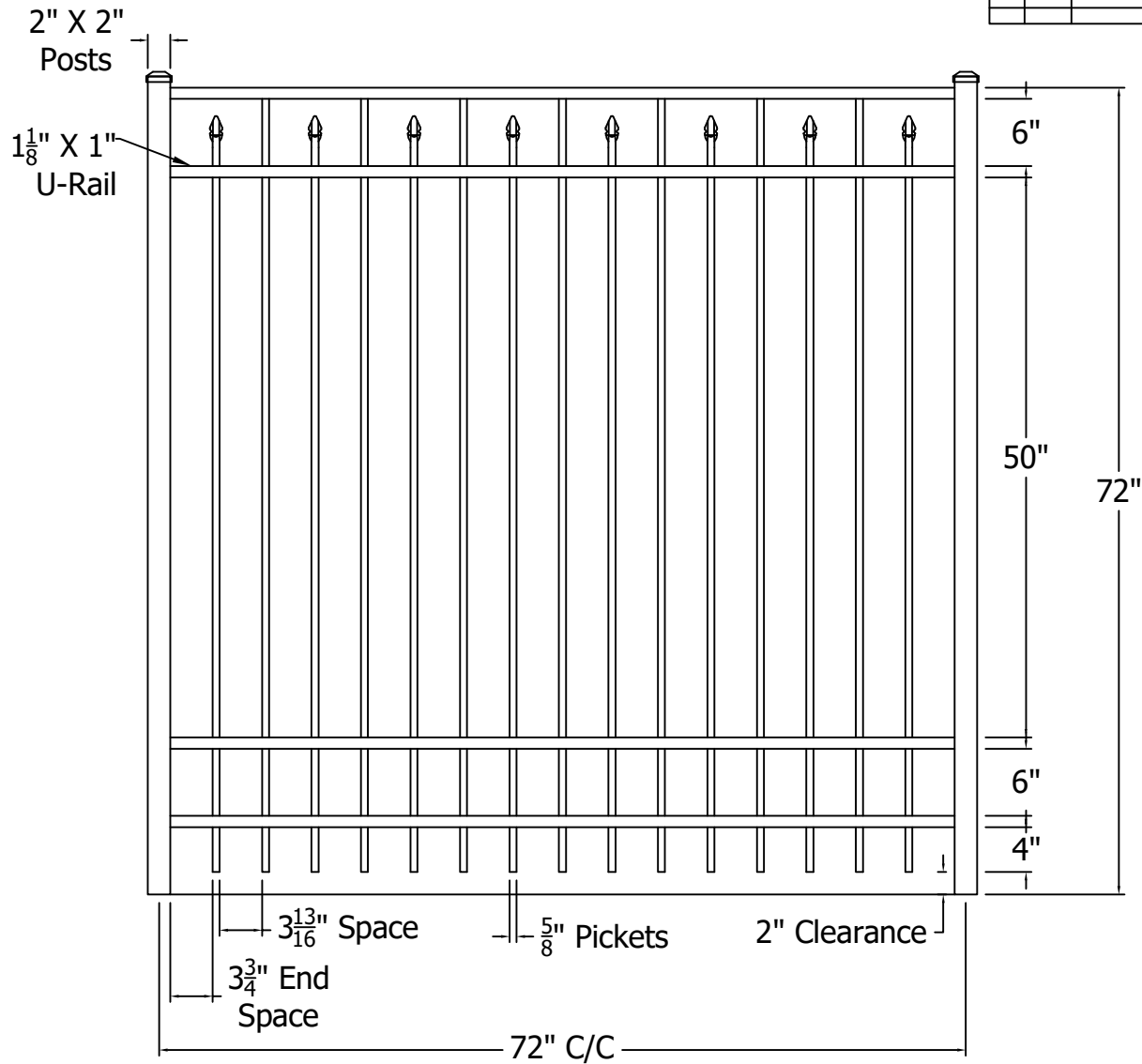







REV.	LOC.	REVISION	DATE



Finial Options	
 Quad	 Triad
 Fleur-de-lis	

	 <i>Transforming the Outdoor Living Experience™</i> 3446 US 6 EAST Bremen, IN 46506 diggerspecialties.com	DRAWN BY: EH	STYLE:
		DATE DRAWN: 02-18-2021	0243
		SCALE = 1":1"	AS SHOWN: 72" T
		DRAFT NO.: 20210218-1E	LOC: Z:\Aluminum\CourtYard\Hundred Series\Hundred SRS Sections\Updated Standard Drawings
			REV. A

4

3

2

1

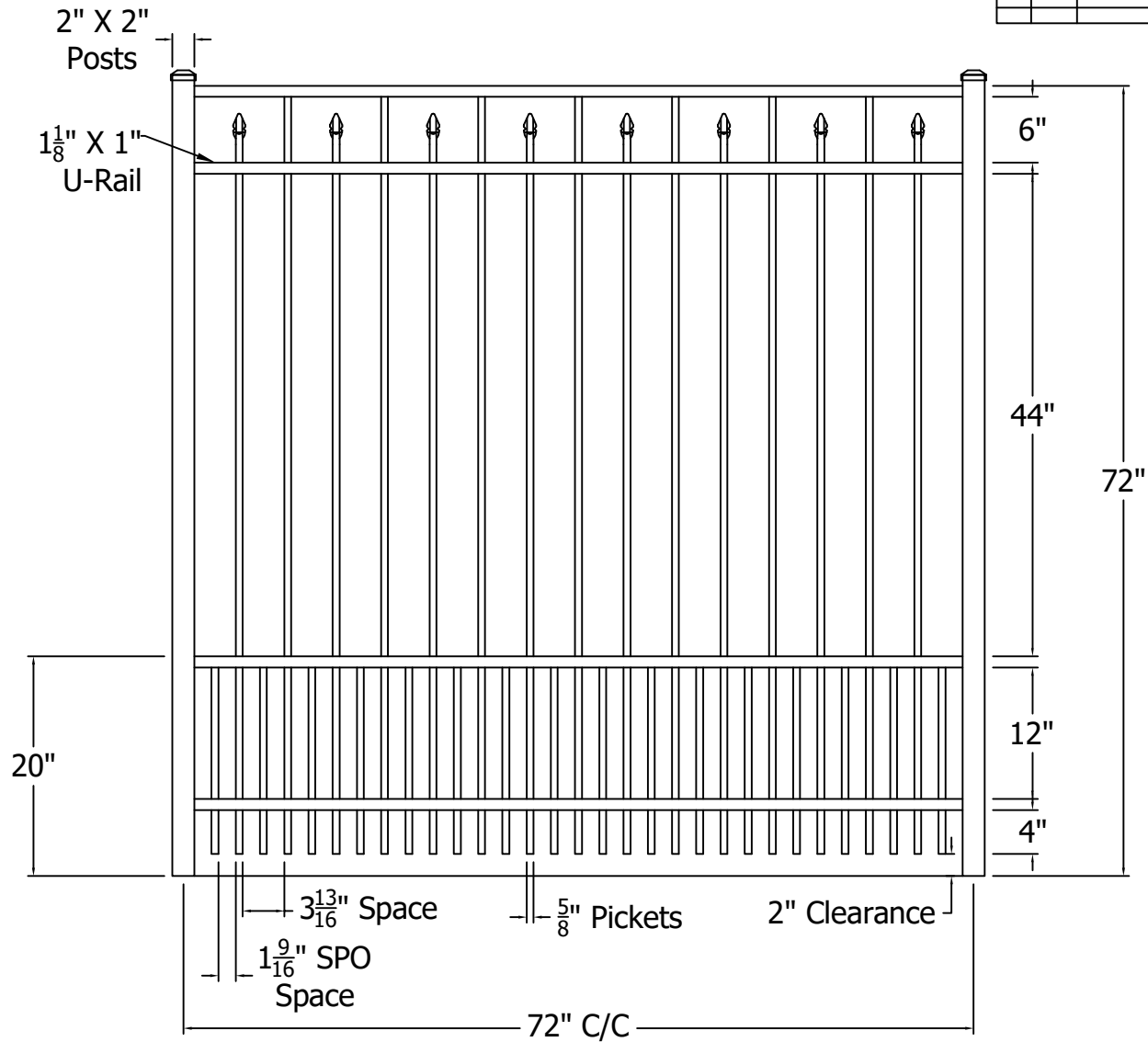
D




C

B

A

REV.	LOC.	REVISION	DATE



Finial Options	
 Quad	 Triad
 Fleur-de-lis	



DRAWN BY: EH	STYLE: 0243 Short Picket Option
DATE DRAWN: 02-18-2021	AS SHOWN: 72" T
SCALE = 1":1"	LOC: Z:\Aluminum\CourtYard\Hundred Series\Hundred SRS Sections\Updated Standard Drawings
DRAFT NO.: 20210218-1E	REV. A

4

3

2

1

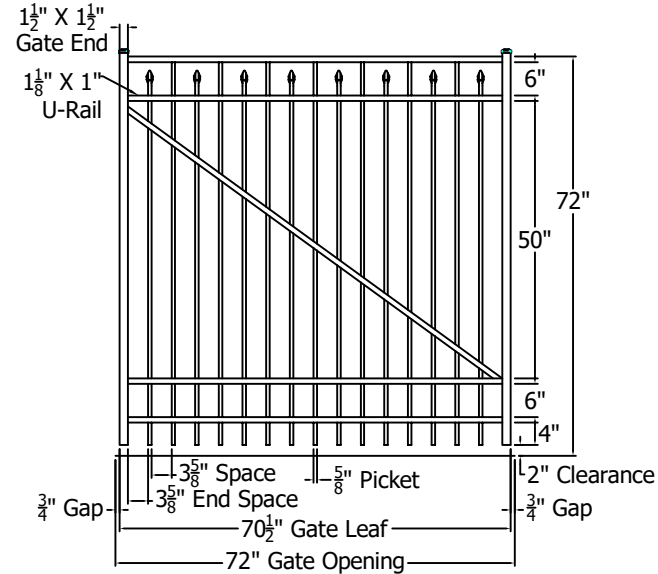
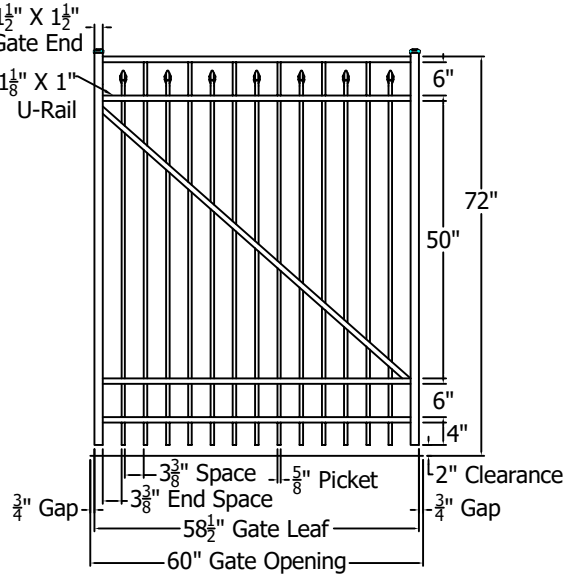
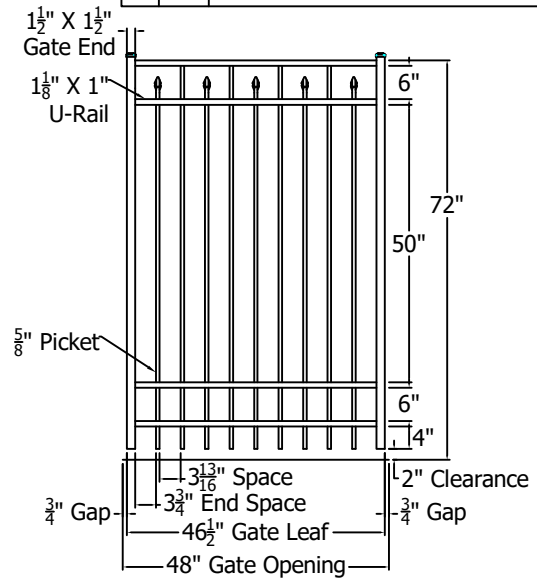
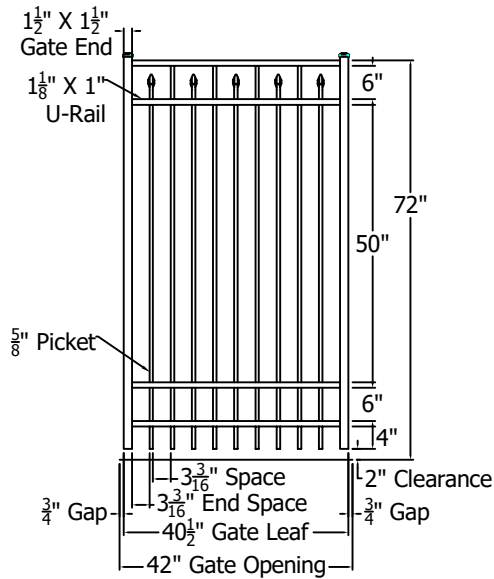
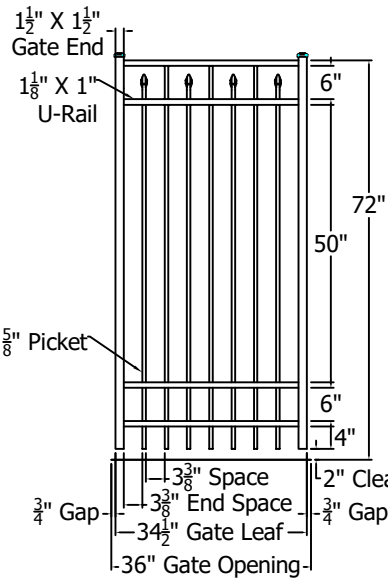
D

C

B

A

REV.	LOC.	REVISION	DATE



Finial Options	
Quad	Triad
Fleur-de-lis	

	<p>Transforming the Outdoor Living Experience™</p> <p>3446 US 6 EAST Bremen, IN 46506 diggerspecialties.com</p>	DRAWN BY: EH DATE DRAWN: 02-18-2021	STYLE: 0243 Standard Gates
		SCALE = 1":1"	AS SHOWN: 72" T
		DRAFT NO.: 20210218-1E	LOC: Z:\Aluminum\CourtYard\Hundred Series\Hundred SRS Gates
		REV. A	

4

3

2

1

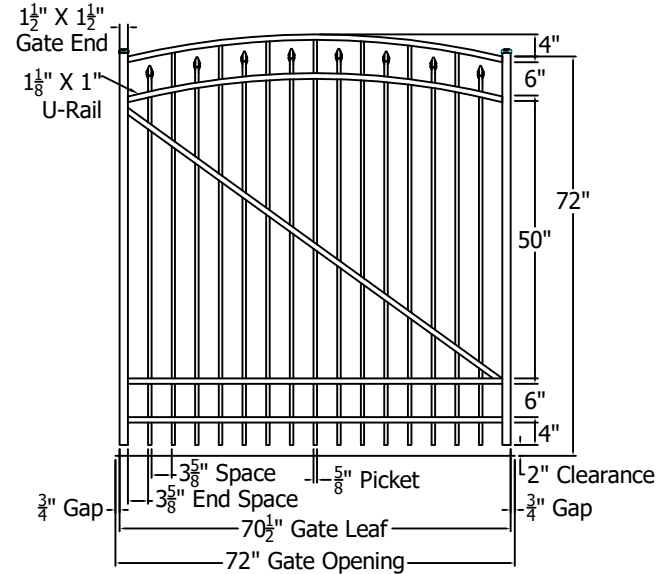
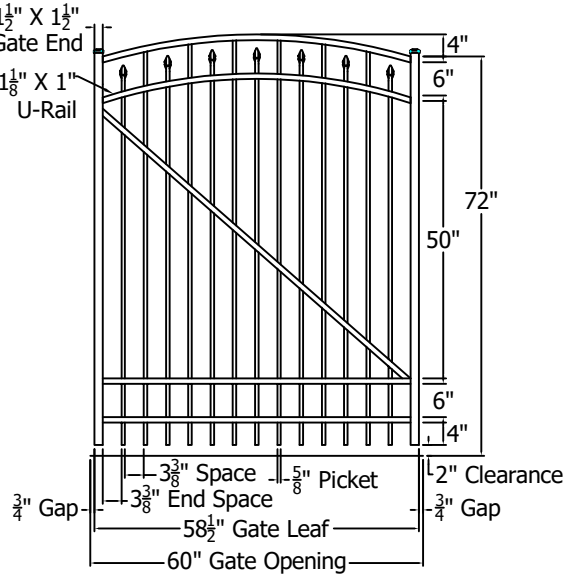
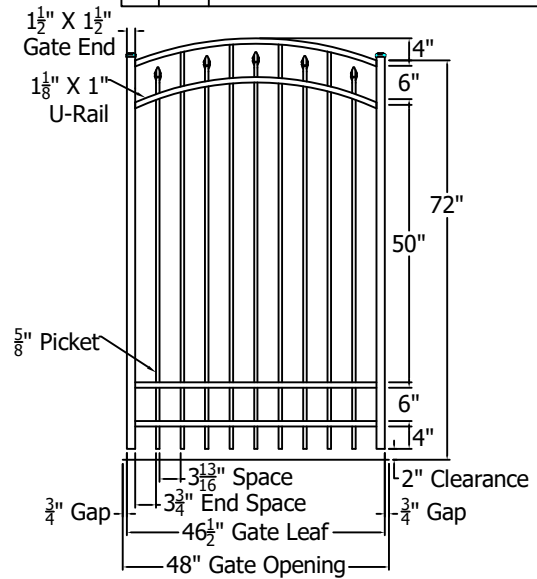
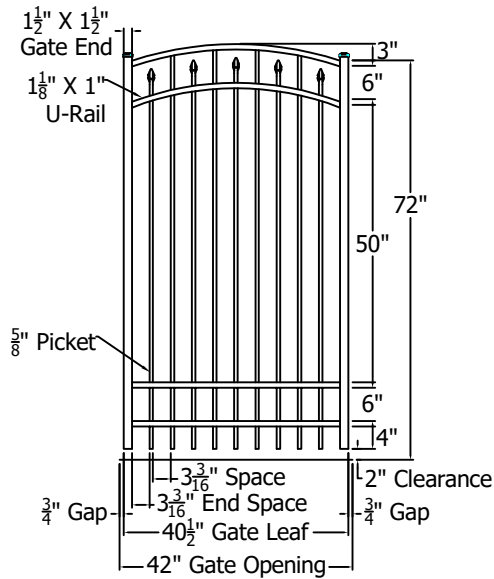
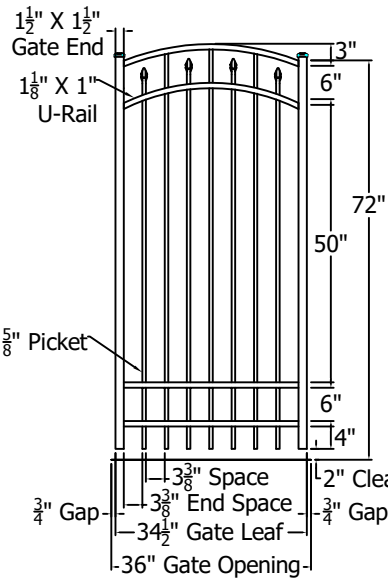
D

C

B

A

REV.	LOC.	REVISION	DATE



Finial Options	
Quad	Triad
Fleur-de-lis	

	<p>3446 US 6 EAST Bremen, IN 46506 diggerspecialties.com</p>	DRAWN BY: EH	STYLE: 0243 Standard Gates Arched
		DATE DRAWN: 02-18-2021	AS SHOWN: 72" T
		SCALE = 1":1"	LOC: Z:\Aluminum\CourtYard\Hundred Series\Hundred SRS Gates
		DRAFT NO.: 20210218-1E	REV. A

4

3

2

1

D

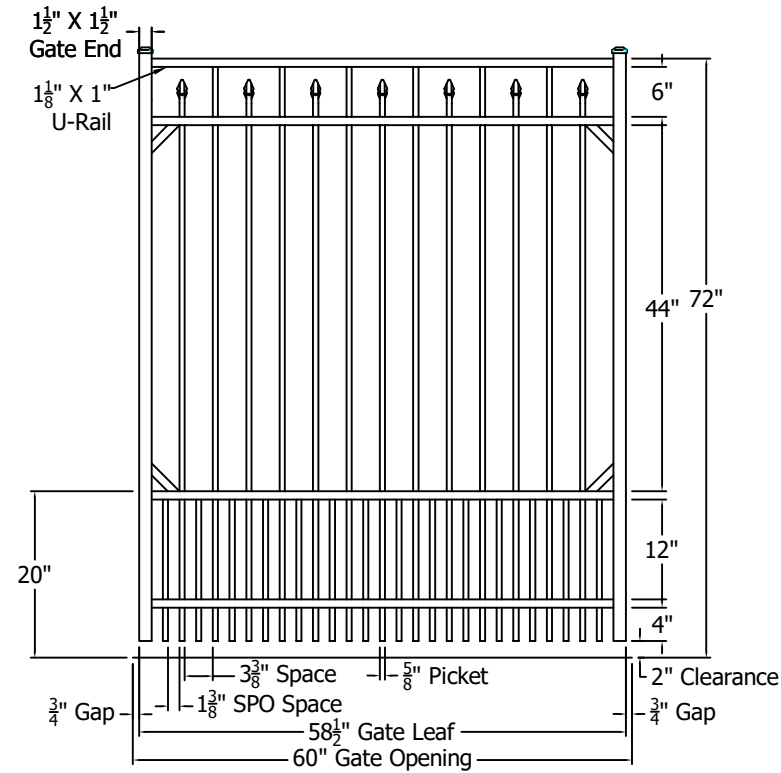
C



B

A

NOTE: Gusset Bracing Required On Gates Over 48" Wide

REV.	LOC.	REVISION	DATE



	 <p>3446 US 6 EAST Bremen, IN 46506 diggerspecialties.com</p>	DRAWN BY: EH DATE DRAWN: 02-18-2021 SCALE = 1":1"	STYLE: 0243 Standard Gates SPO AS SHOWN: 72" T
		DRAFT NO.: 20210218-1E	LOC: Z:\Aluminum\CourtYard\Hundred Series\Hundred SRS Gates
		REV. A	REV. A
		1	1

4

3

2

1

D

C

B

A