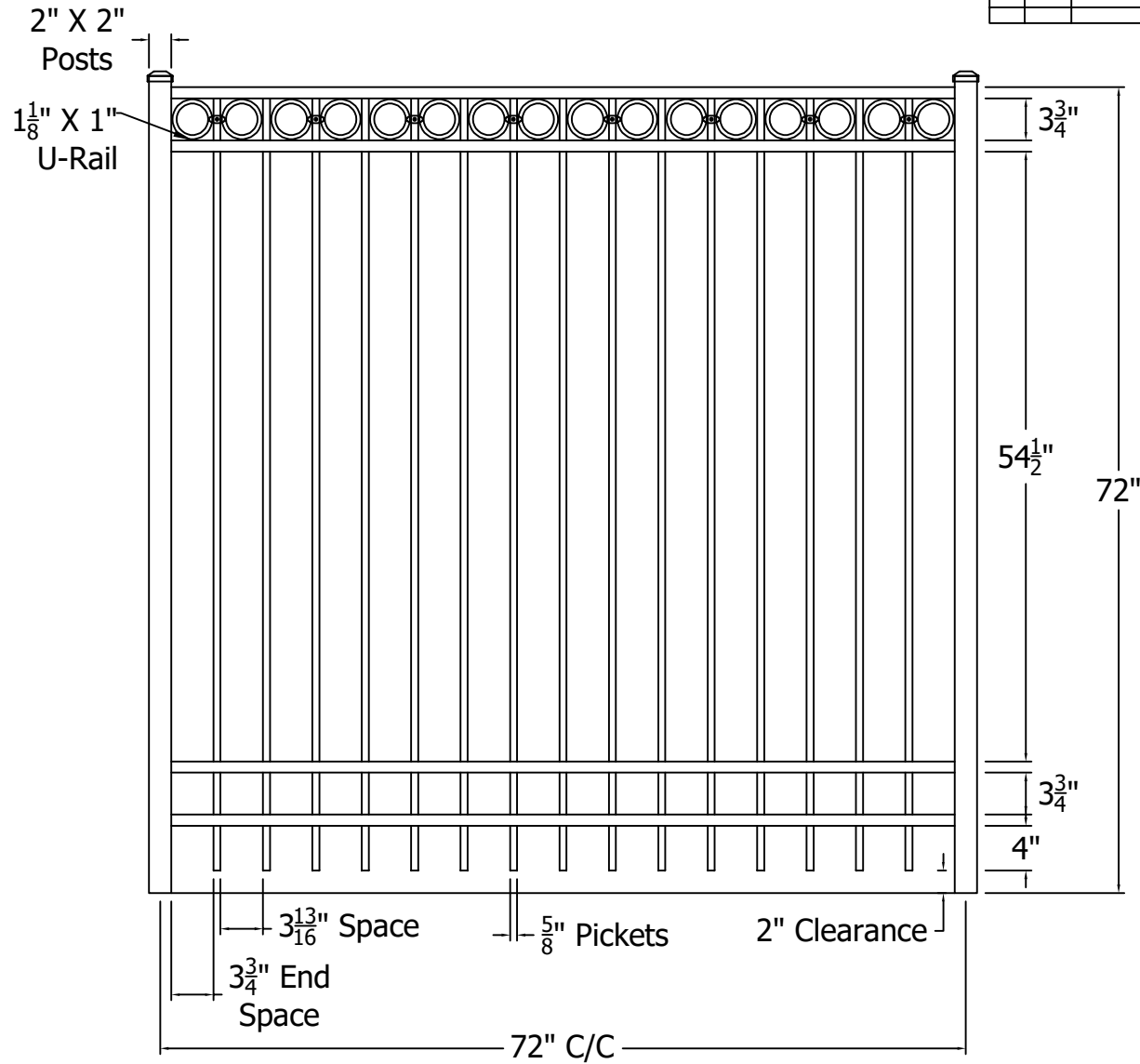




REV.	LOC.	REVISION	DATE



	 <p>3446 US 6 EAST Bremen, IN 46506 diggerspecialties.com</p>	DRAWN BY: EH	STYLE:
		DATE DRAWN: 06-08-2020	0240R
		SCALE = 1":1"	AS SHOWN: 72" W X 72" T
		DRAFT NO.: 20200608-1E	LOC: Z:\Aluminum\CourtYard\Hundred Series\Hundred SRS Sections\Updated Standard Drawings
			REV. A

4

3

2

1

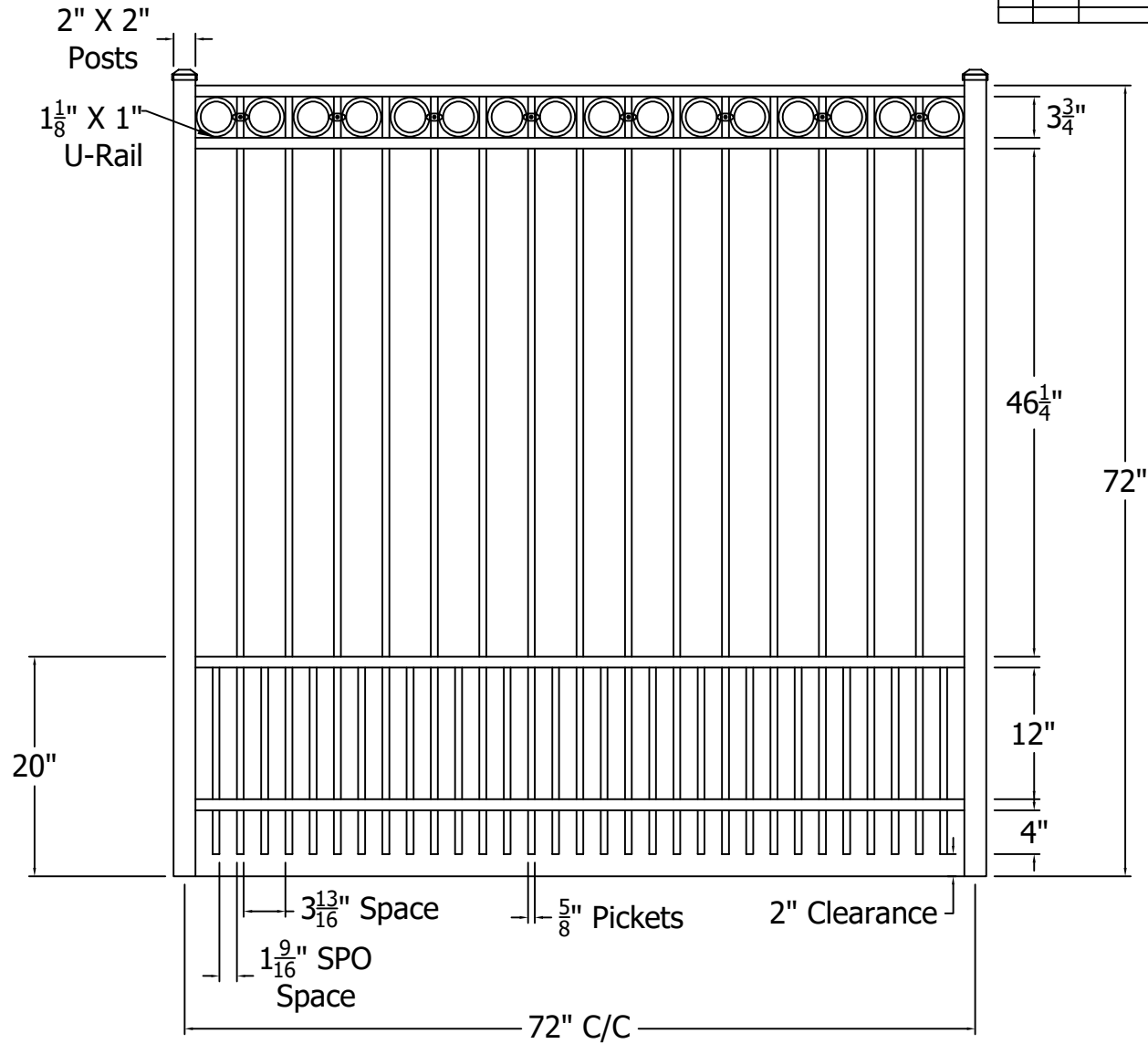
D



C

B

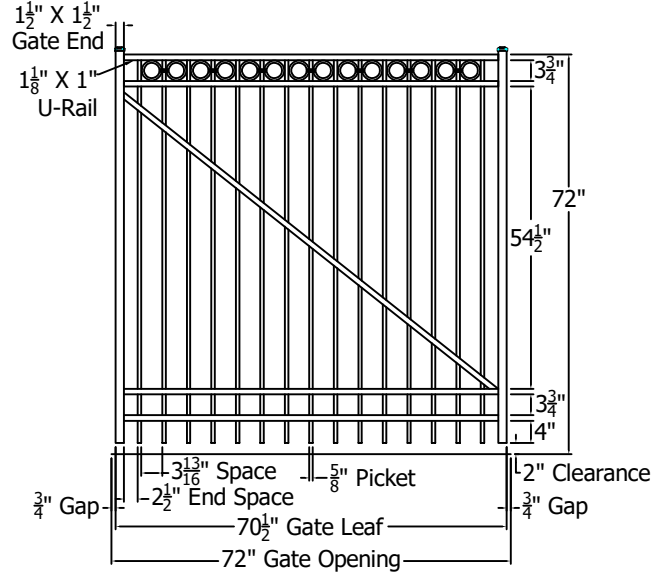
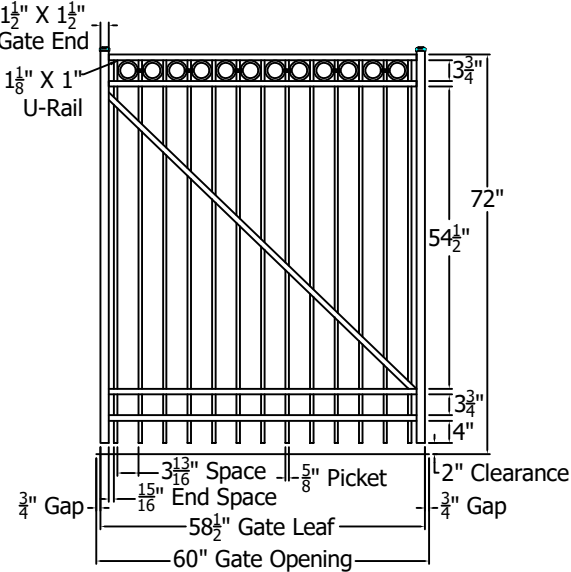
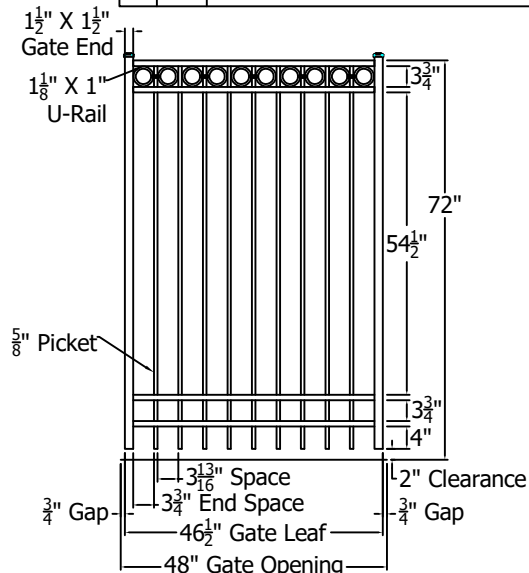
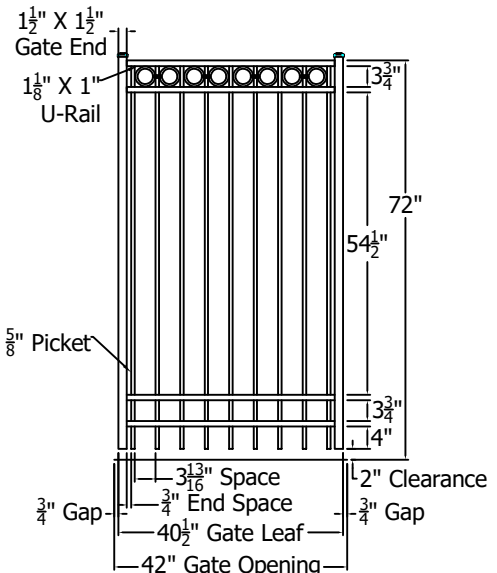
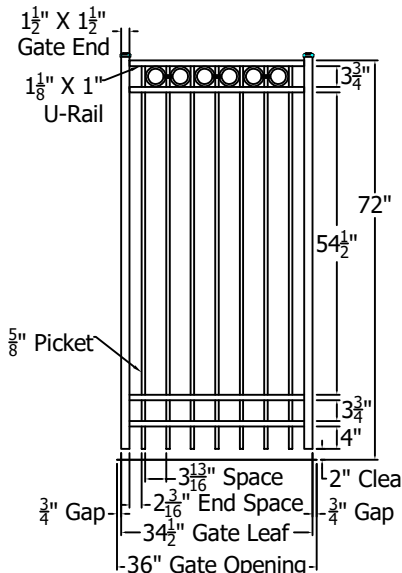
A

REV.	LOC.	REVISION	DATE



	 Digger Specialties Inc. <i>Transforming the Outdoor Living Experience™</i>	DRAWN BY: EH DATE DRAWN: 06-08-2020	STYLE: 0240R Short Picket Option
		SCALE = 1":1"	AS SHOWN: 72" W X 72" T
3446 US 6 EAST Bremen, IN 46506 diggerspecialties.com	DRAFT NO.: 20200608-1E	LOC: Z:\Aluminum\CourtYard\Hundred Series\Hundred SRS Sections\Updated Standard Drawings	REV. A

REV.	LOC.	REVISION	DATE



4

3

2

1



DSI Digger Specialties Inc.
Transforming the Outdoor Living Experience
 3446 US 6 EAST
 Bremen, IN 46506
 diggerspecialties.com

DRAWN BY: EH
 DATE DRAWN: 06-08-2020
 SCALE = 1":1"
 DRAFT NO.: 20200608-1E

STYLE: **0240R Standard Gates**
 AS SHOWN: 72" T
 LOC: Z:\Aluminum\CourtYard\Hundred Series\Hundred SRS Gates
 REV.

A

B

C

D