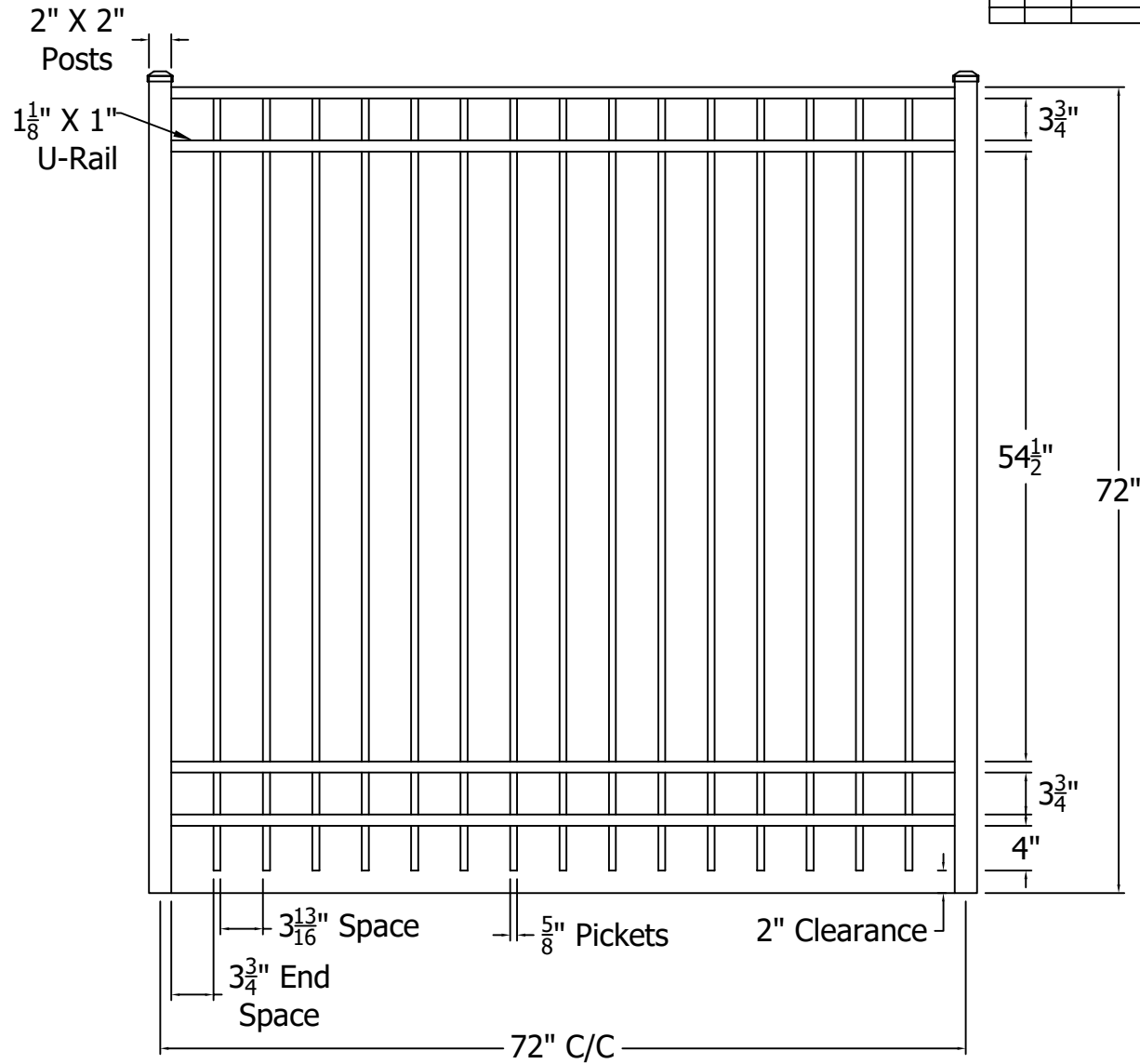




REV.	LOC.	REVISION	DATE



	 <p>3446 US 6 EAST Bremen, IN 46506 diggerspecialties.com</p>	DRAWN BY: EH	STYLE:
		DATE DRAWN: 06-08-2020	0240
		SCALE = 1":1"	AS SHOWN: 72" W X 72" T
		DRAFT NO.: 20200608-1E	LOC: Z:\Aluminum\CourtYard\Hundred Series\Hundred SRS Sections\Updated Standard Drawings
			REV. A

4

3

2

1

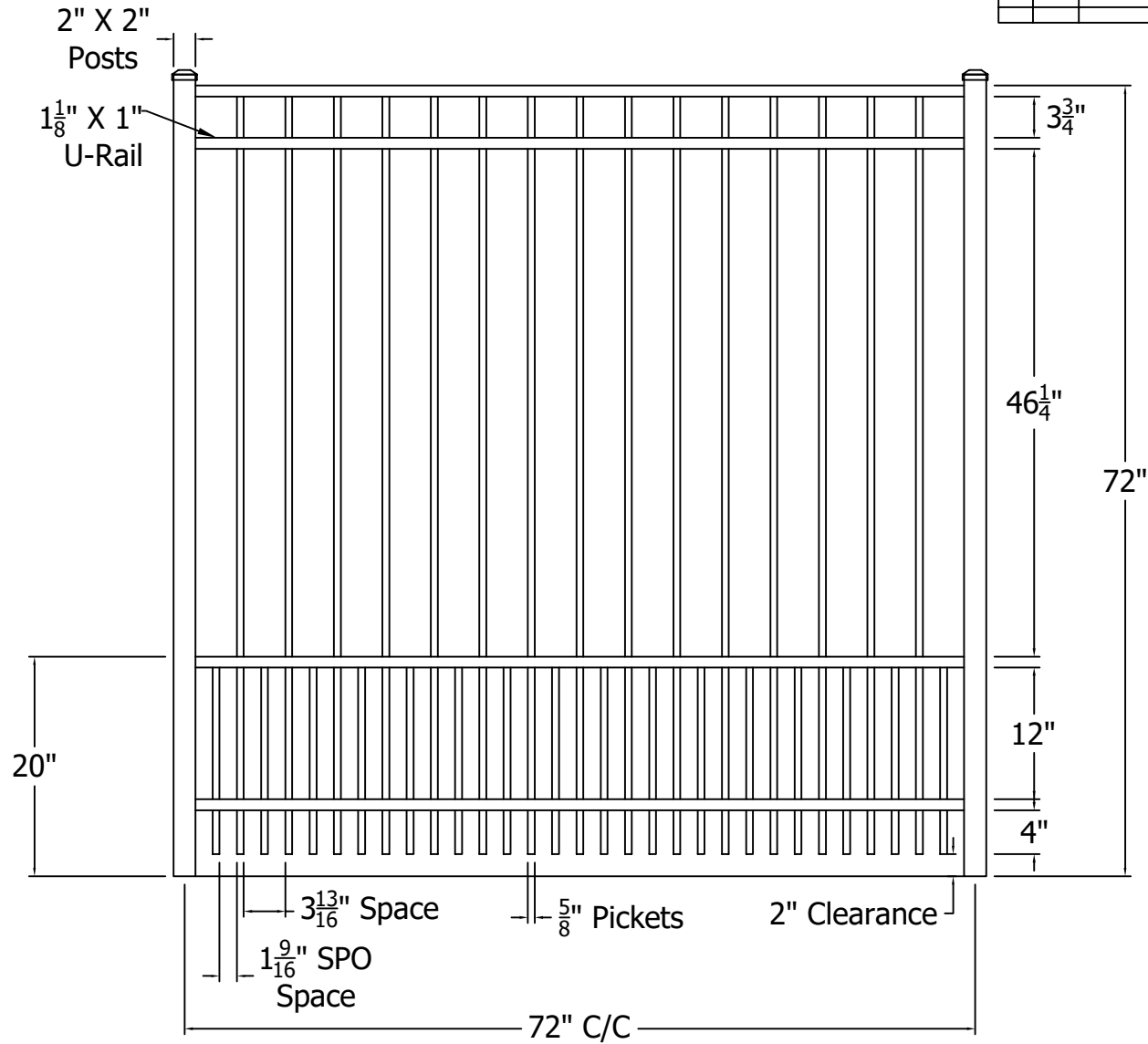
D



C

B

A

REV.	LOC.	REVISION	DATE



	 <p><i>Transforming the Outdoor Living Experience™</i></p>	DRAWN BY: EH DATE DRAWN: 06-08-2020	STYLE: 0240 Short Picket Option
		SCALE = 1":1"	AS SHOWN: 72" W X 72" T
3446 US 6 EAST Bremen, IN 46506 diggerspecialties.com	DRAFT NO.: 20200608-1E	LOC: Z:\Aluminum\CourtYard\Hundred Series\Hundred SRS Sections\Updated Standard Drawings	REV. A

4

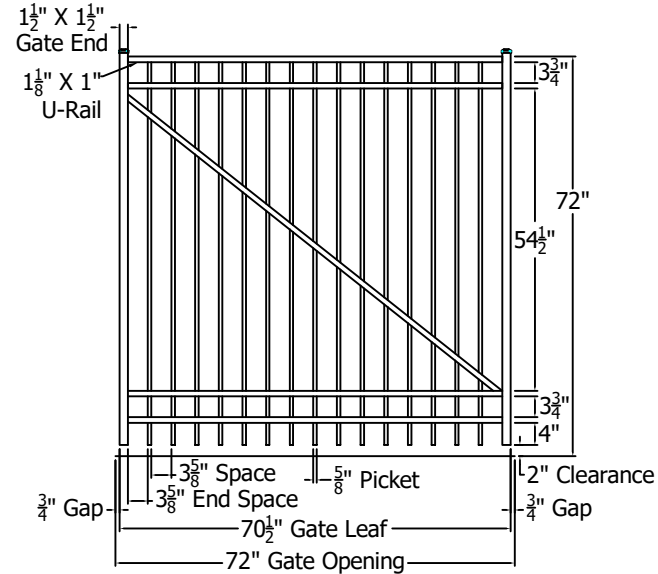
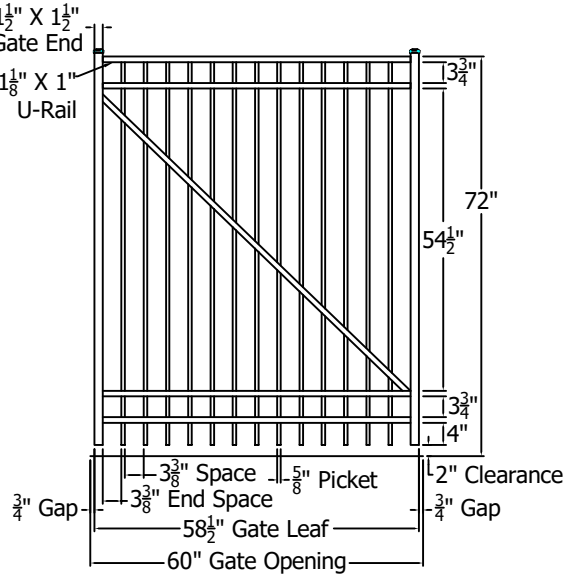
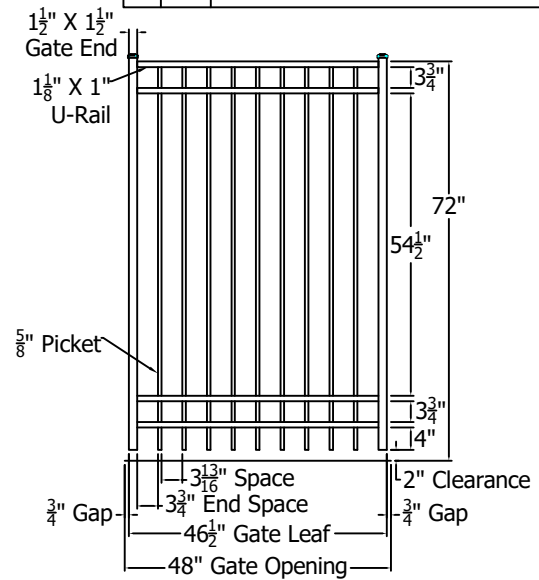
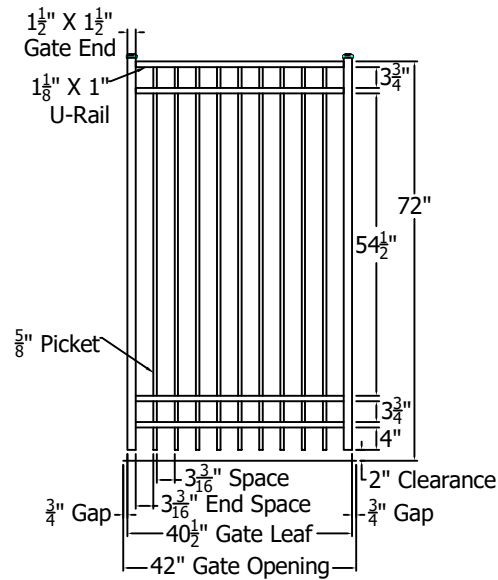
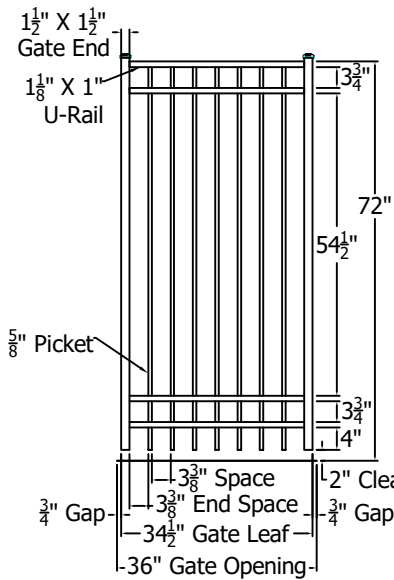
3

2

1

D
C
B
A

REV.	LOC.	REVISION	DATE



4

3

2

1



DSI Digger Specialties Inc.
Transforming the Outdoor Living Experience
 3446 US 6 EAST
 Bremen, IN 46506
 diggerspecialties.com

DRAWN BY: EH
 DATE DRAWN: 06-08-2020
 SCALE = 1":1"
 DRAFT NO.: 20200608-1E

STYLE: **0240 Standard Gates**
 AS SHOWN: 72" T
 LOC: Z:\Aluminum\CourtYard\Hundred Series\Hundred SRS Gates
 REV.

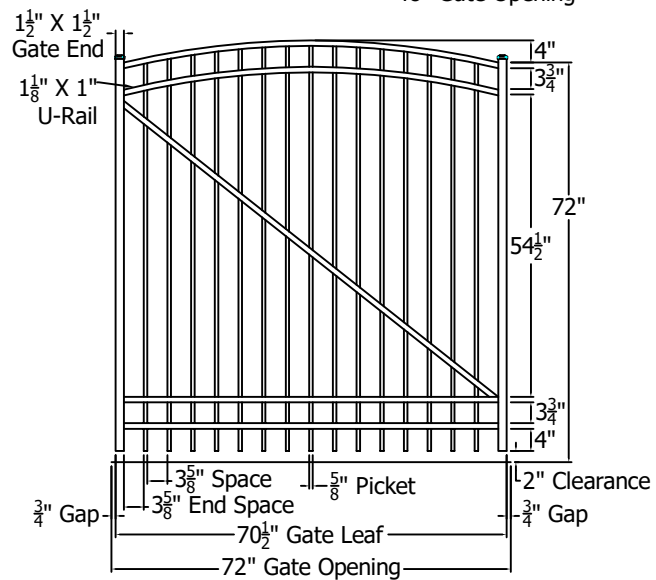
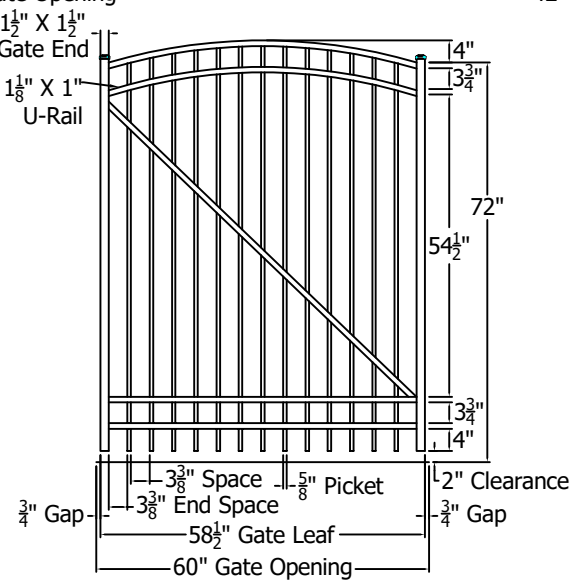
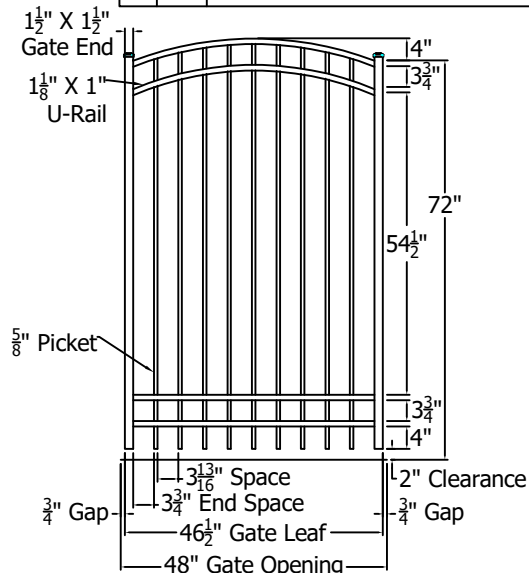
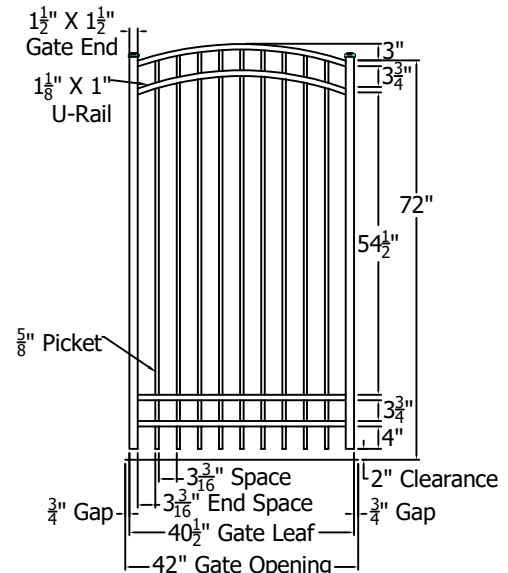
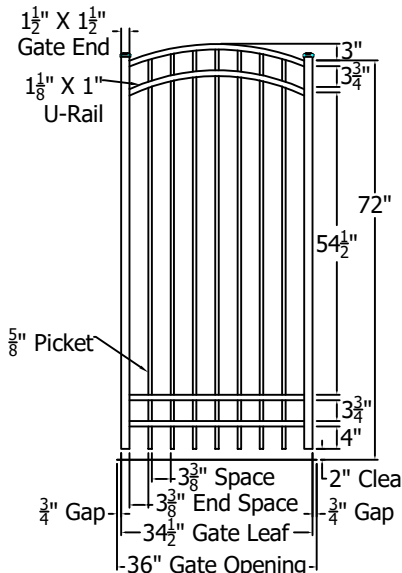
D

C

B

A

REV.	LOC.	REVISION	DATE



4

3

2

1



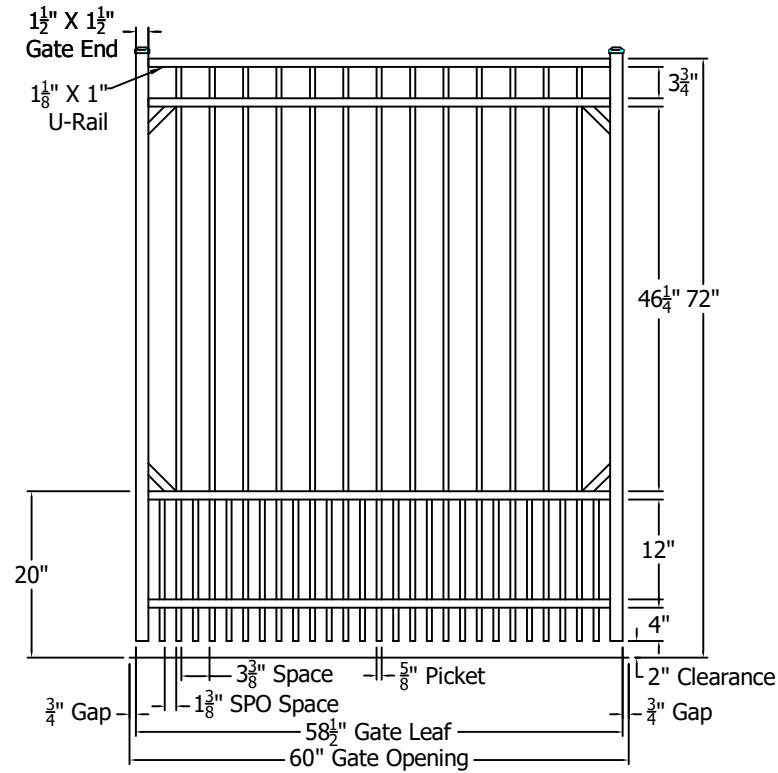
DSI Digger Specialties Inc.
Transforming the Outdoor Living Experience
 3446 US 6 EAST
 Bremen, IN 46506
 diggerspecialties.com

DRAWN BY: EH	STYLE:	0240 Standard Gates Arched
DATE DRAWN: 06-08-2020	AS SHOWN: 72" T Arched	
SCALE = 1":1"	LOC:	Z:\Aluminum\CourtYard\Hundred Series\Hundred SRS Gates
DRAFT NO.: 20200608-1E	REV.	

D
C
B
A

NOTE: Gusset Bracing Required On Gates Over 48" Wide

REV.	LOC.	REVISION	DATE




Digger Specialties Inc.
Transforming the Outdoor Living Experience
 3446 US 6 EAST
 Bremen, IN 46506
 diggerspecialties.com

DRAWN BY: EH	STYLE:	0240 Standard Gates
DATE DRAWN: 06-08-2020	AS SHOWN: Short Picket Option	
SCALE = 1":1"	DRAFT NO.: 20200608-1E	LOC: Z:\Aluminum\CourtYard\Hundred Series\Hundred SRS Gates
		REV.

4

3

2

1

D

C

B

A