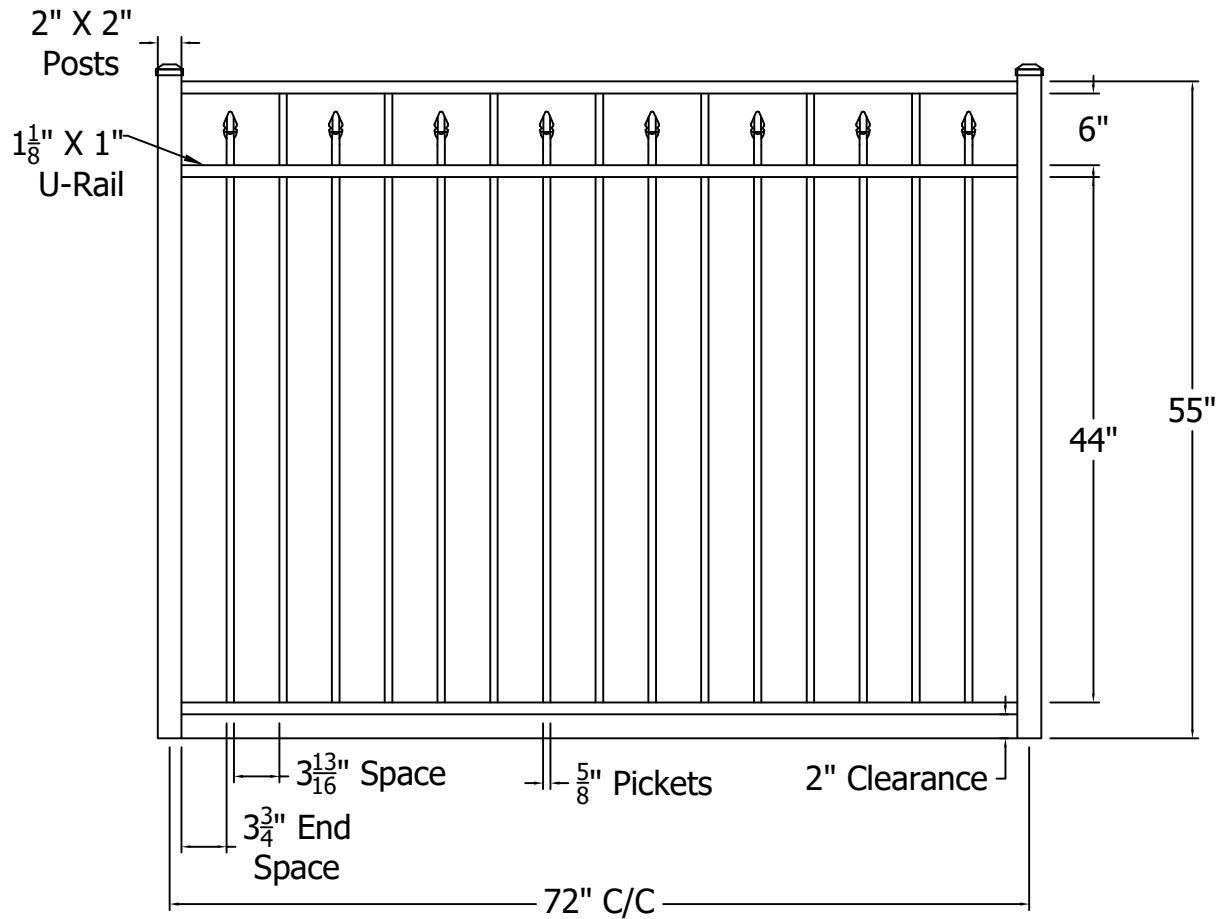





REV.	LOC.	REVISION	DATE



Finial Options	
 Quad	 Triad
 Fleur-de-lis	



Complies With ASTM
F2409 And F1908
For Height And Spacing



DRAWN BY: EH
DATE DRAWN:
02-18-2021
SCALE = 1":1"
DRAFT NO.:
20210218-1E

STYLE:
0233
AS SHOWN: 72" W 55" T
LOC: Z:\Aluminum\CourtYard\Hundred Series\Hundred SRS Sections\Updated Standard Drawings
REV. **A**

4

3

2

1

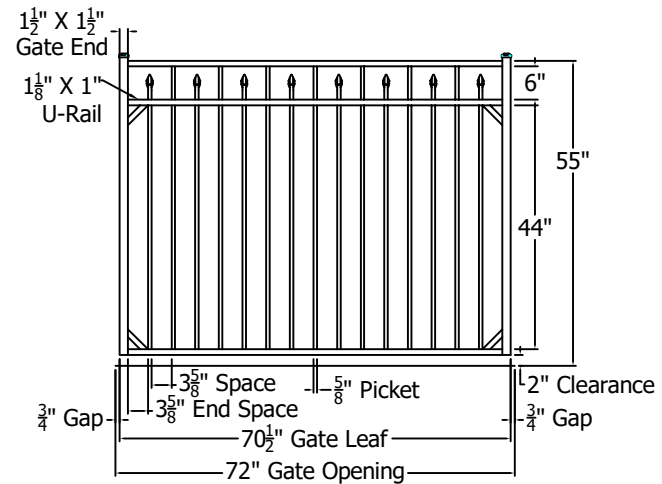
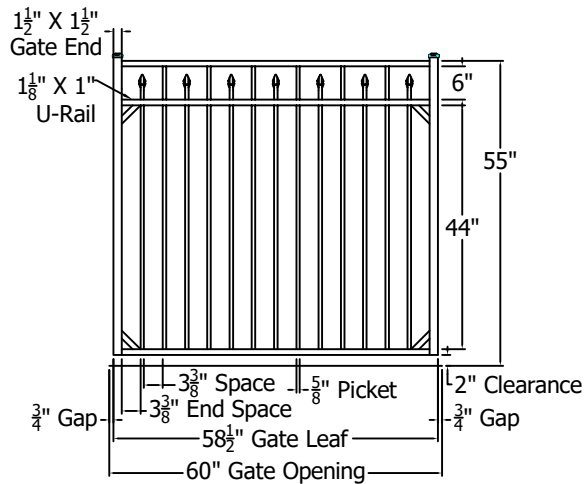
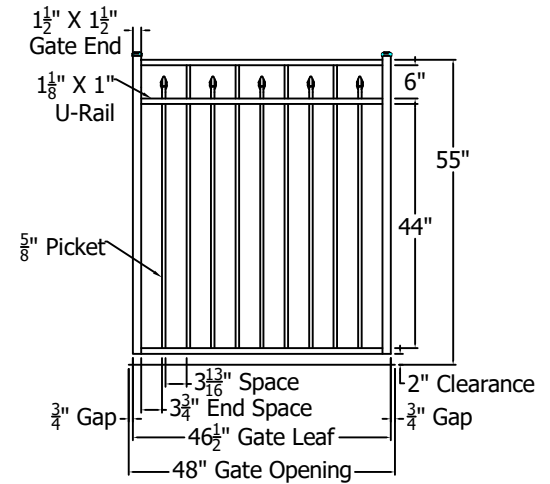
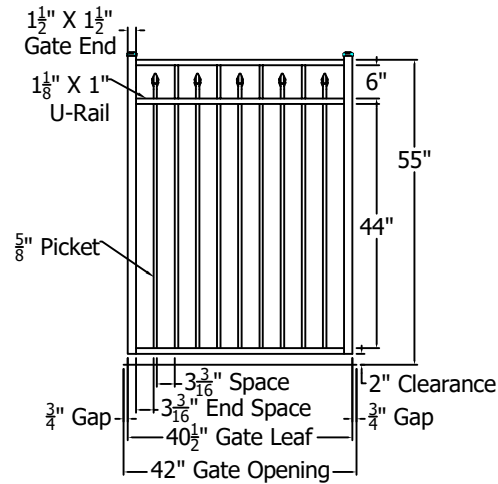
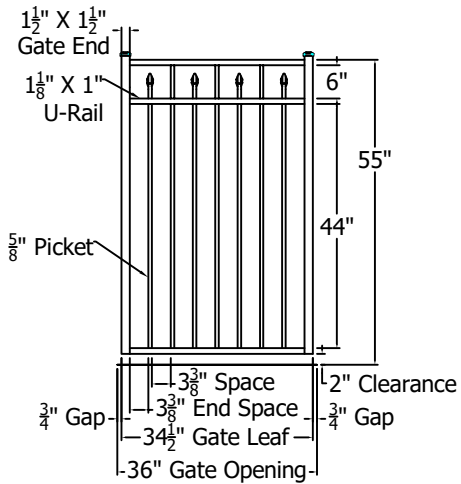
D

C

B

A

REV.	LOC.	REVISION	DATE



Finial Options	
Quad	Triad
Fleur-de-lis	



Complies With ASTM
F2409 And F1908
For Height And Spacing



DSI Digger Specialties Inc.
Transforming the Outdoor Living Experience™
3446 US 6 EAST
Bremen, IN 46506
diggerspecialties.com

DRAWN BY: EH
DATE DRAWN:
02-18-2021
SCALE = 1":1"
DRAFT NO.:
20210218-1E

STYLE:
**0233 Standard Gates
Pool**
AS SHOWN: 48" T
LOC: Z:\Aluminum\CourtYard\Hundred Series\Hundred SRS Gates
REV. A

4

3

2

1

D

C

B

A