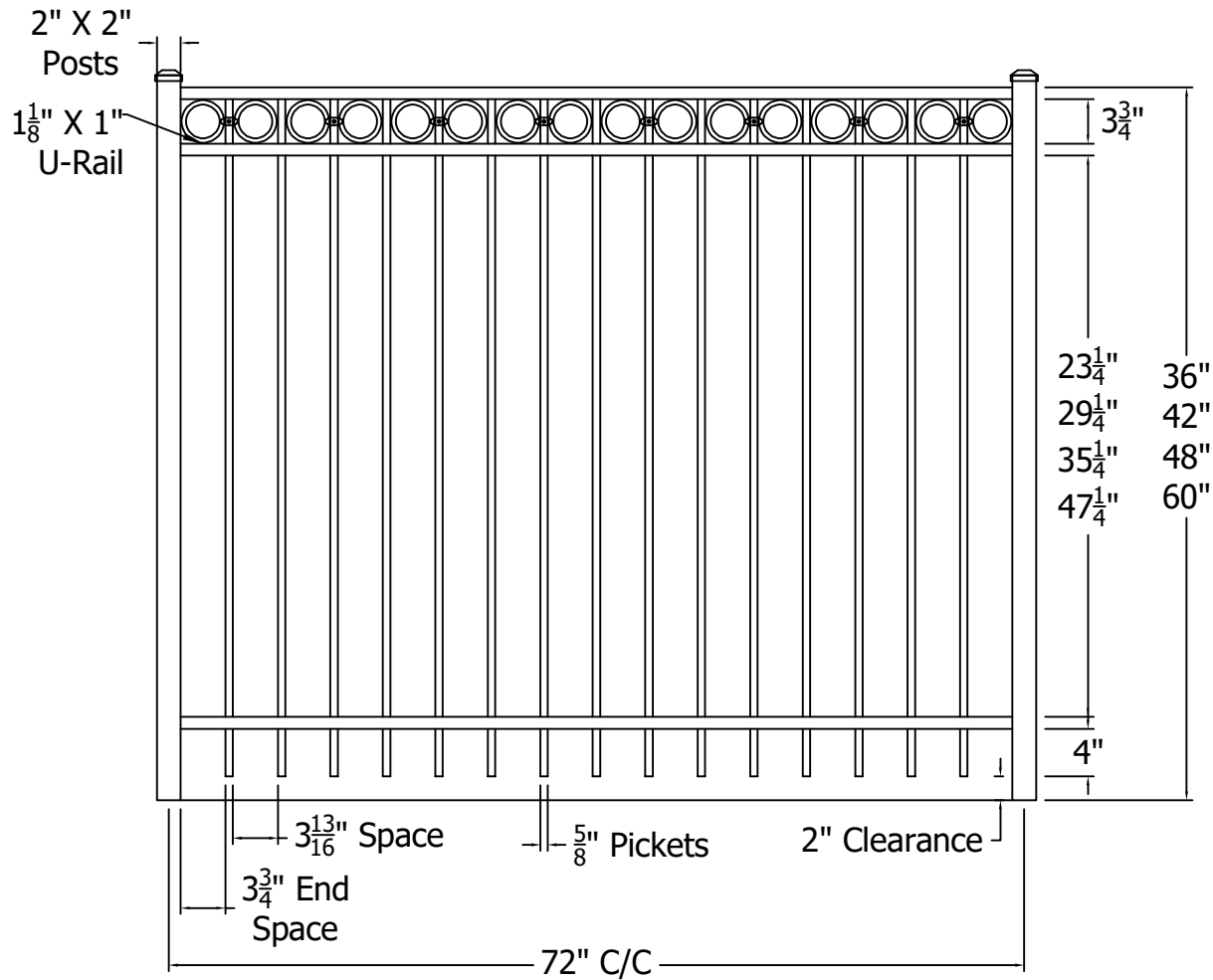




REV.	LOC.	REVISION	DATE



	 <p><i>Transforming the Outdoor Living Experience™</i></p> <p>3446 US 6 EAST Bremen, IN 46506 diggerspecialties.com</p>	DRAWN BY: EH DATE DRAWN: 02-18-2021	STYLE: 0230R
		SCALE = 1":1" DRAFT NO.: 20210218-1E	AS SHOWN: 72" W 60" T LOC: Z:\Aluminum\CourtYard\Hundred Series\Hundred SRS Sections\Updated Standard Drawings REV. A

4

3

2

1

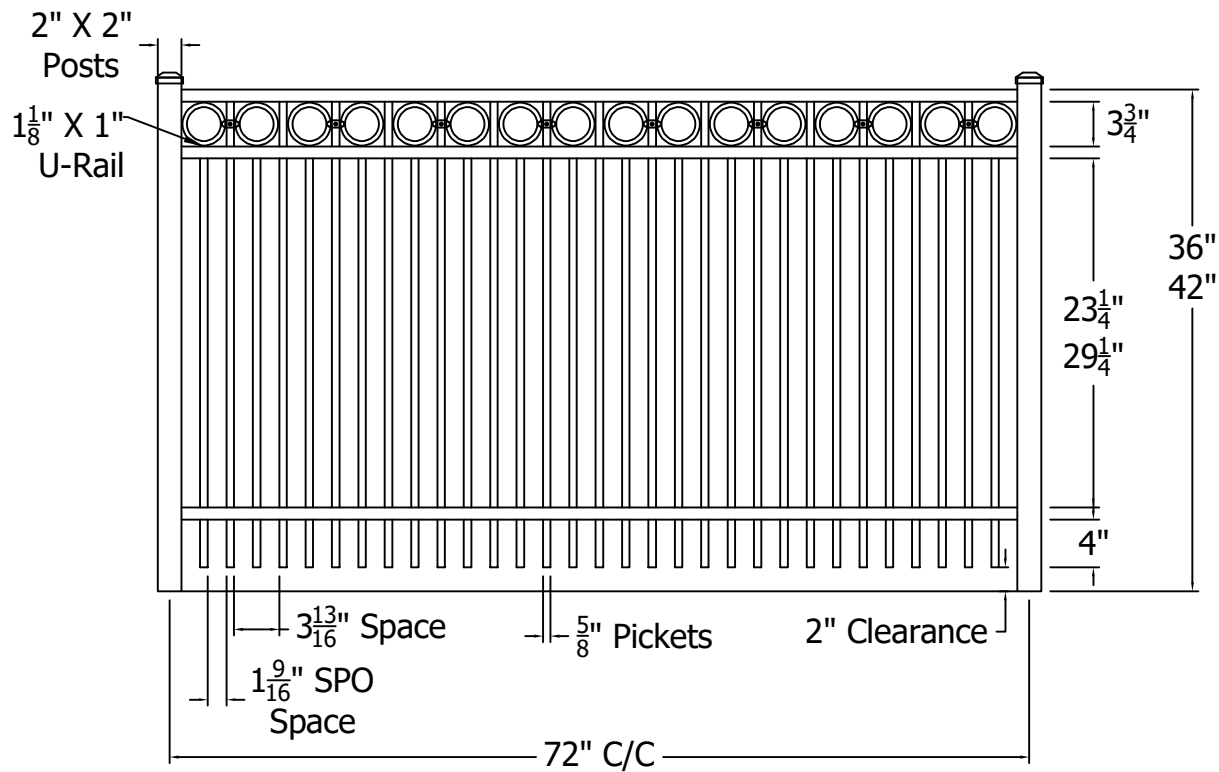
D



C

B

A

REV.	LOC.	REVISION	DATE



	 <p><i>Transforming the Outdoor Living Experience™</i></p> <p>3446 US 6 EAST Bremen, IN 46506 diggerspecialties.com</p>	DRAWN BY: EH DATE DRAWN: 02-18-2021	STYLE: 0230R Short Picket Option
		SCALE = 1":1" DRAFT NO.: 20210218-1E	AS SHOWN: 72" W 42" T LOC: Z:\Aluminum\CourtYard\Hundred Series\Hundred SRS Sections\Updated Standard Drawings
			REV. A

4

3

2

1

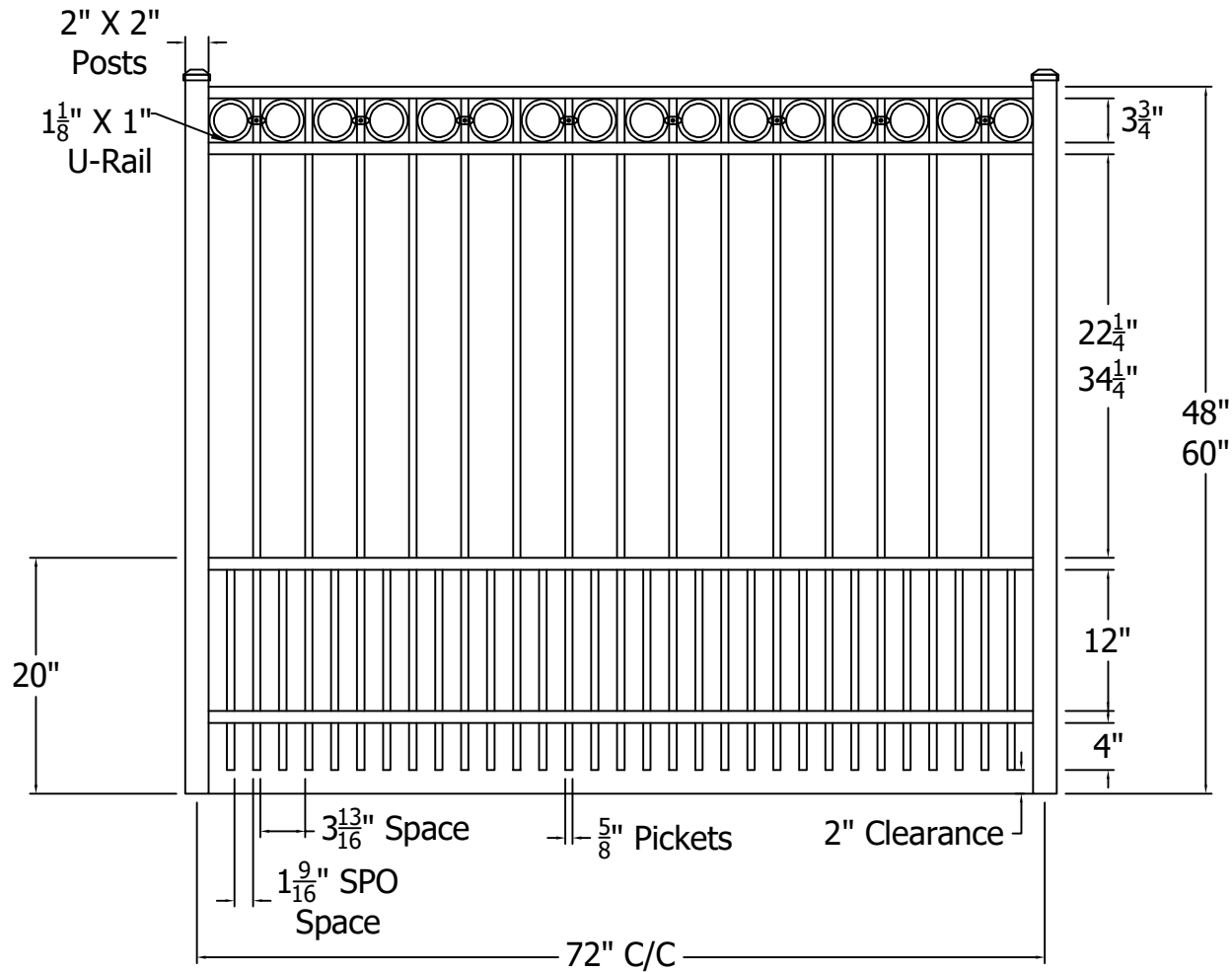
D



C

B

A

REV.	LOC.	REVISION	DATE



	 <p><i>Transforming the Outdoor Living Experience™</i></p>	DRAWN BY: EH DATE DRAWN: 02-18-2021	STYLE: 0230R Short Picket Option
		SCALE = 1":1" DRAFT NO.: 20210218-1E	AS SHOWN: 72" W 60" T LOC: Z:\Aluminum\CourtYard\Hundred Series\Hundred SRS Sections\Updated Standard Drawings
3446 US 6 EAST Bremen, IN 46506 diggerspecialties.com		REV. A	

4

3

2

1

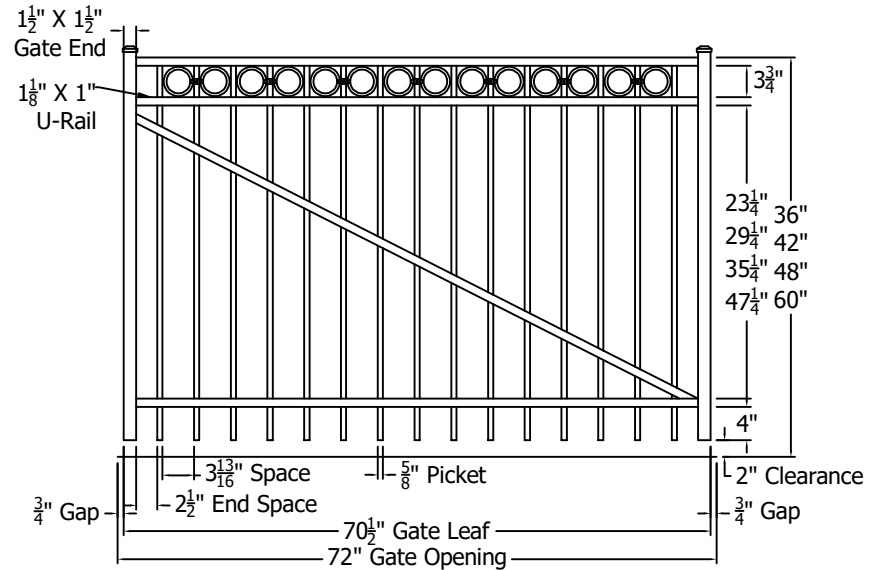
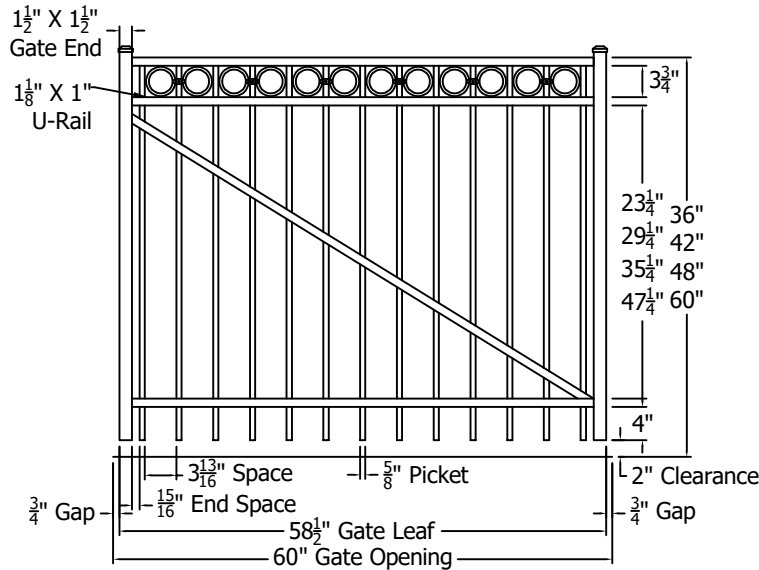
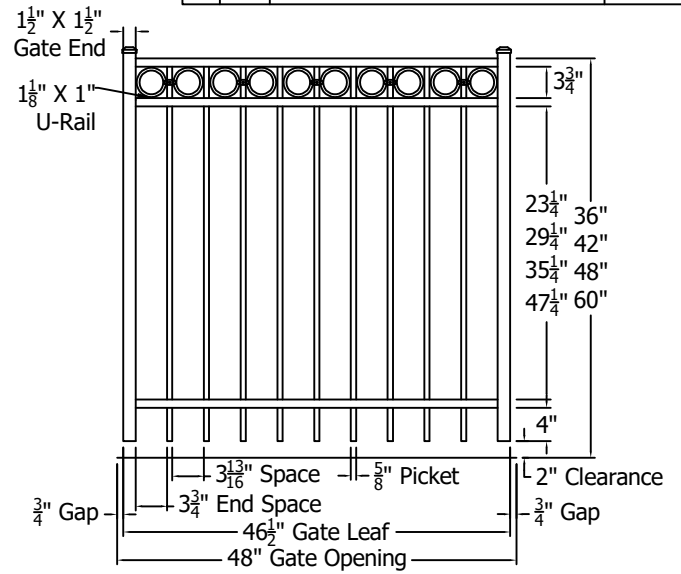
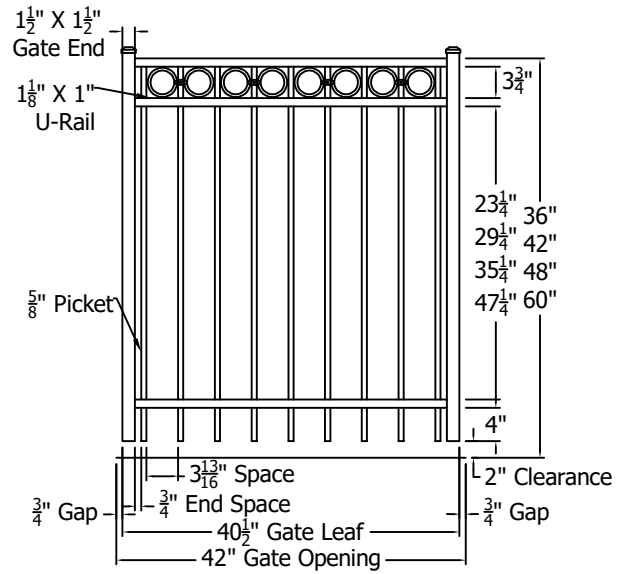
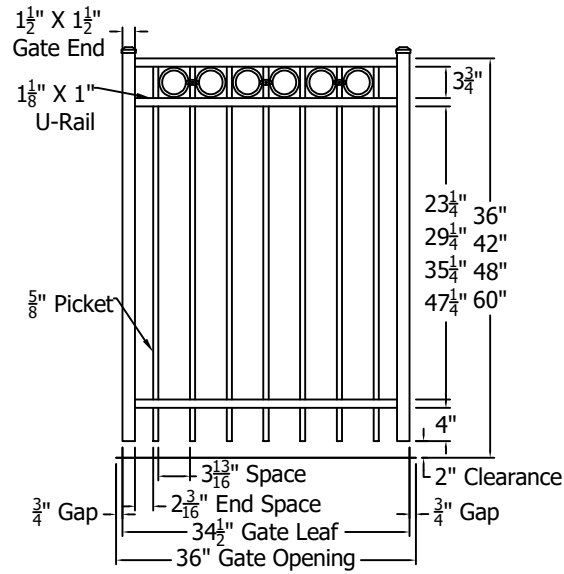
D



C

B

A

REV.	LOC.	REVISION	DATE



	 <p>3446 US 6 EAST Bremen, IN 46506 diggerspecialties.com</p>	DRAWN BY: EH DATE DRAWN: 02-18-2021	STYLE: 0230R Standard Gates
		SCALE = 1":1" DRAFT NO.: 20210218-1E	AS SHOWN: 48" T LOC: Z:\Aluminum\CourtYard\Hundred Series\Hundred SRS Gates
			REV. A

4

3

2

1

D

C

B

A