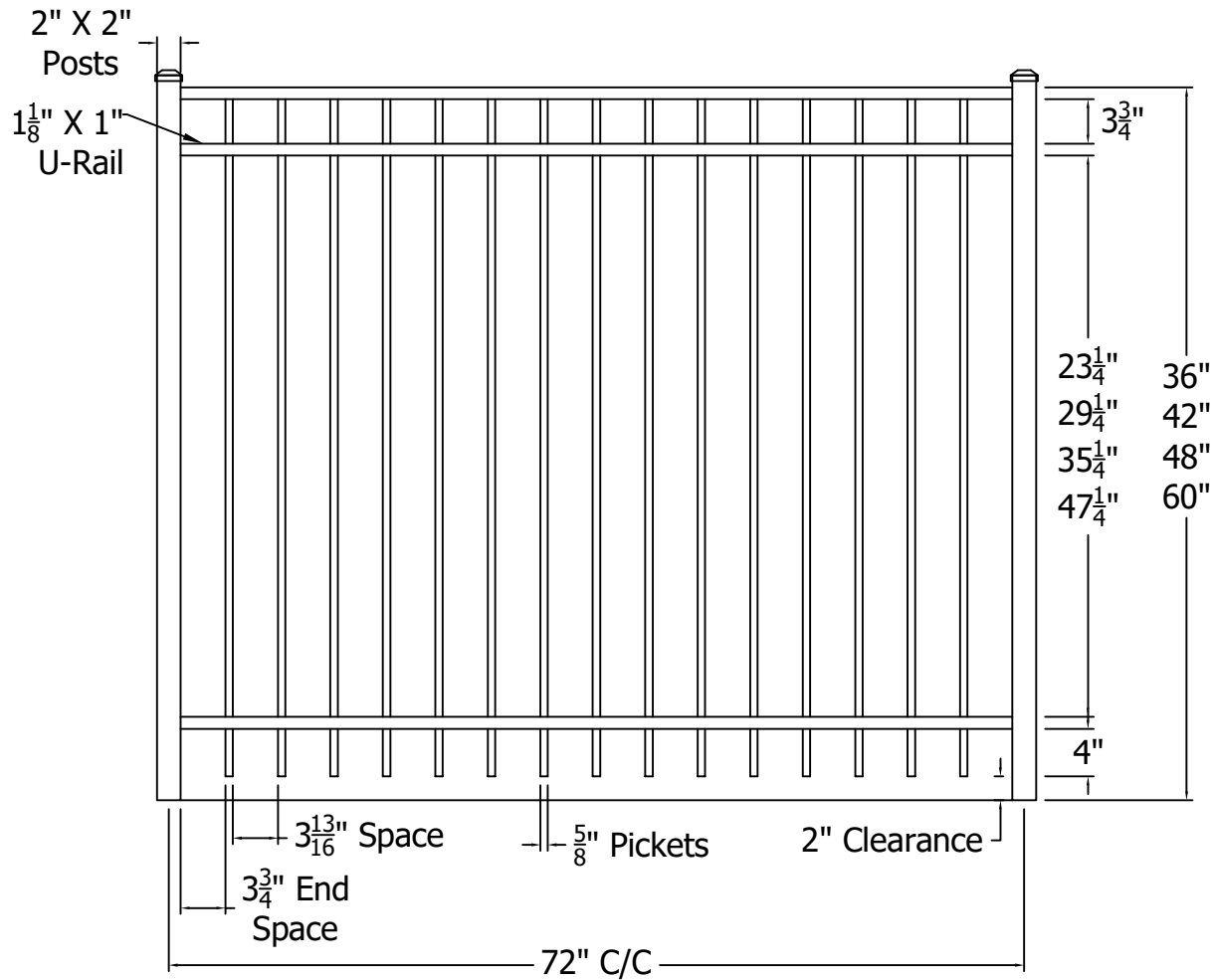




REV.	LOC.	REVISION	DATE



	 <p><i>Transforming the Outdoor Living Experience™</i></p> <p>3446 US 6 EAST Bremen, IN 46506 diggerspecialties.com</p>	DRAWN BY: EH DATE DRAWN: 02-18-2021	STYLE: 0230	REV. A
		SCALE = 1":1" DRAFT NO.: 20210218-1E	AS SHOWN: 72" W 60" T LOC: Z:\Aluminum\CourtYard\Hundred Series\Hundred SRS Sections\Updated Standard Drawings	

4

3

2

1

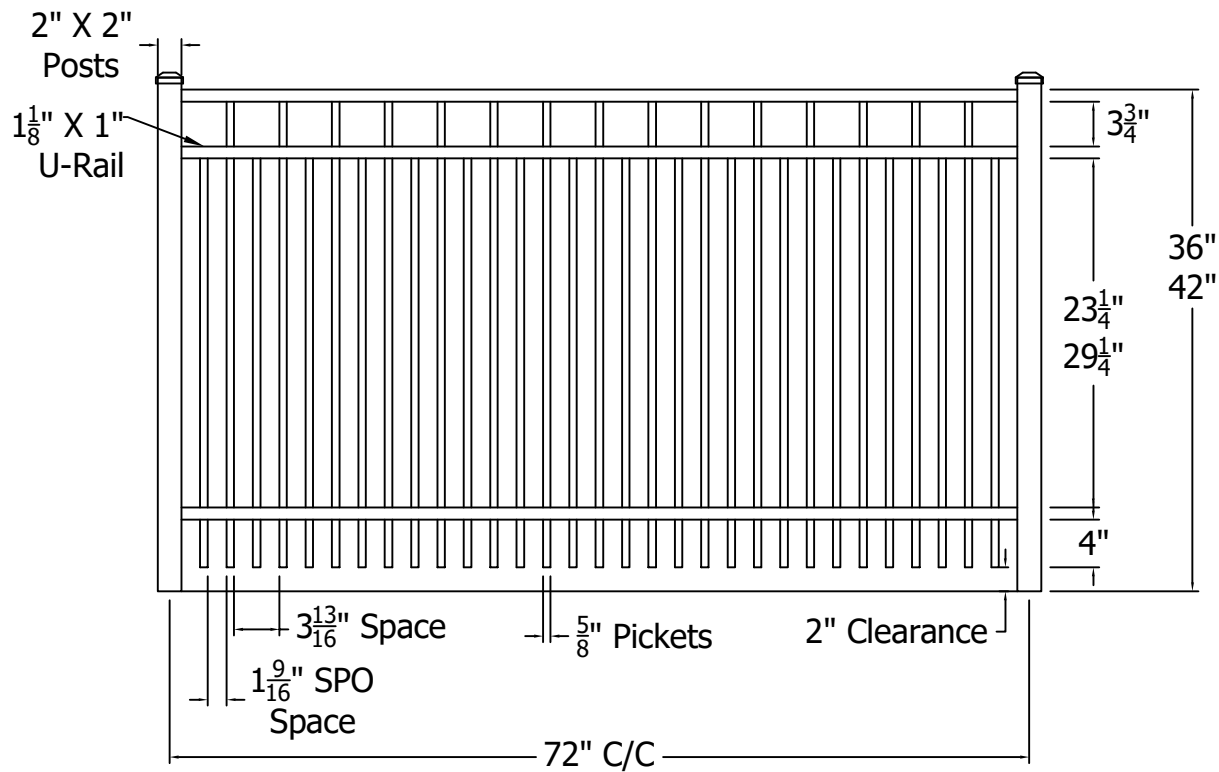
D



C

B

A

REV.	LOC.	REVISION	DATE



	 <p>3446 US 6 EAST Bremen, IN 46506 diggerspecialties.com</p>	DRAWN BY: EH DATE DRAWN: 02-18-2021	STYLE: 0230 Short Picket Option
		SCALE = 1":1" DRAFT NO.: 20210218-1E	AS SHOWN: 72" W 42" T LOC: Z:\Aluminum\CourtYard\Hundred Series\Hundred SRS Sections\Updated Standard Drawings
			REV. A

4

3

2

1

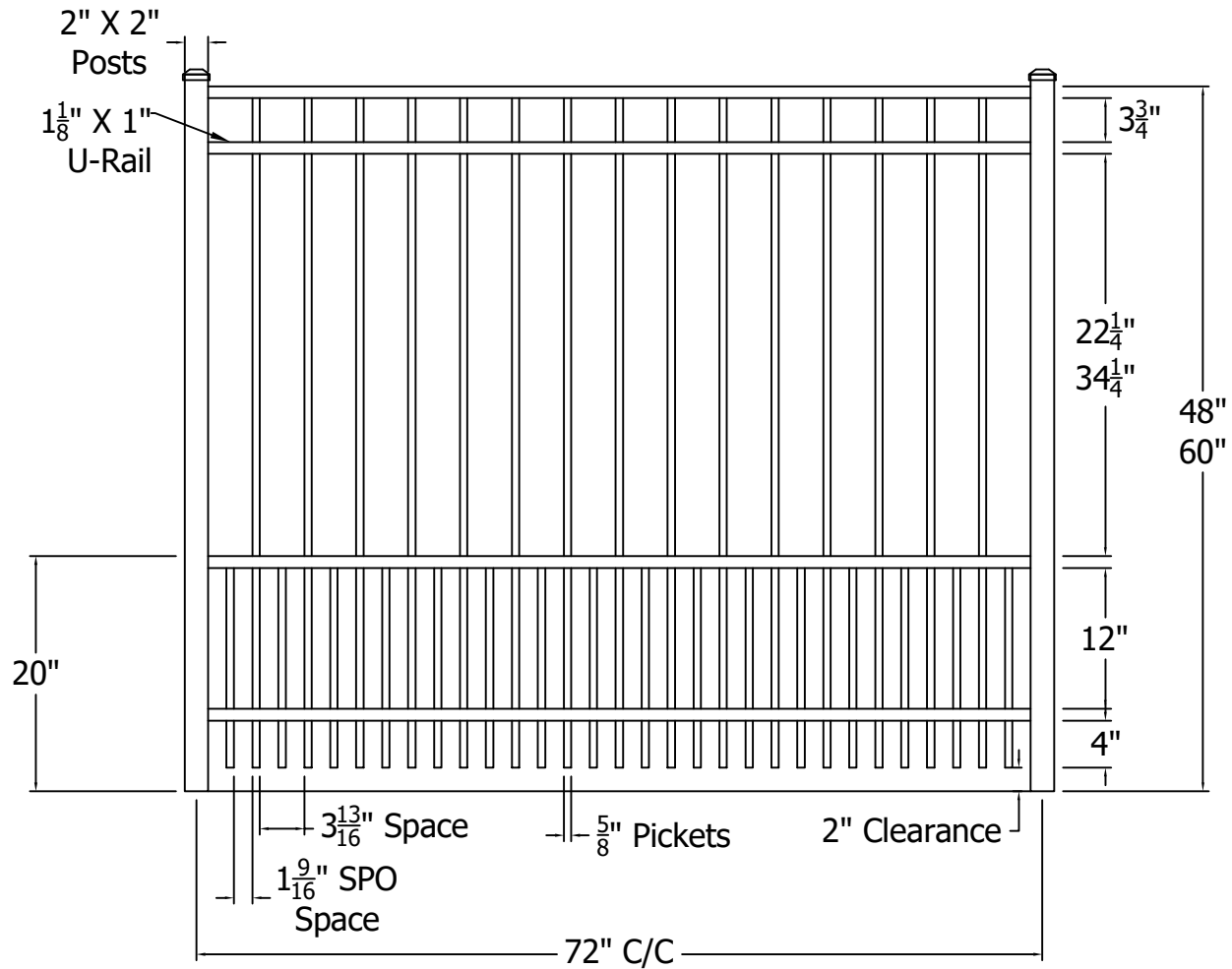
D



C

B

A

REV.	LOC.	REVISION	DATE



	 <p>3446 US 6 EAST Bremen, IN 46506 diggerspecialties.com</p>	DRAWN BY: EH	STYLE: 0230 Short Picket Option
		DATE DRAWN: 02-18-2021	
		SCALE = 1":1"	AS SHOWN: 72" W 60" T
		DRAFT NO.: 20210218-1E	LOC: Z:\Aluminum\CourtYard\Hundred Series\Hundred SRS Sections\Updated Standard Drawings REV. A

4

3

2

1

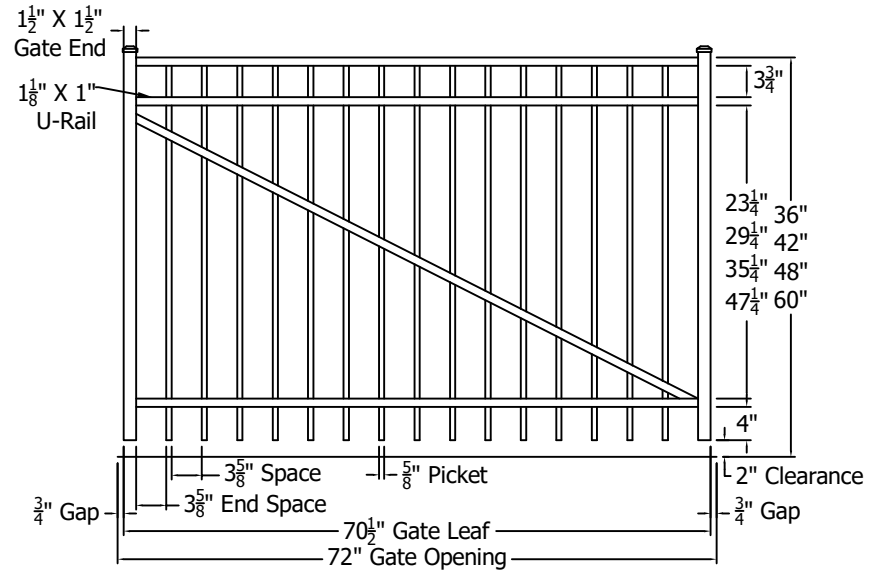
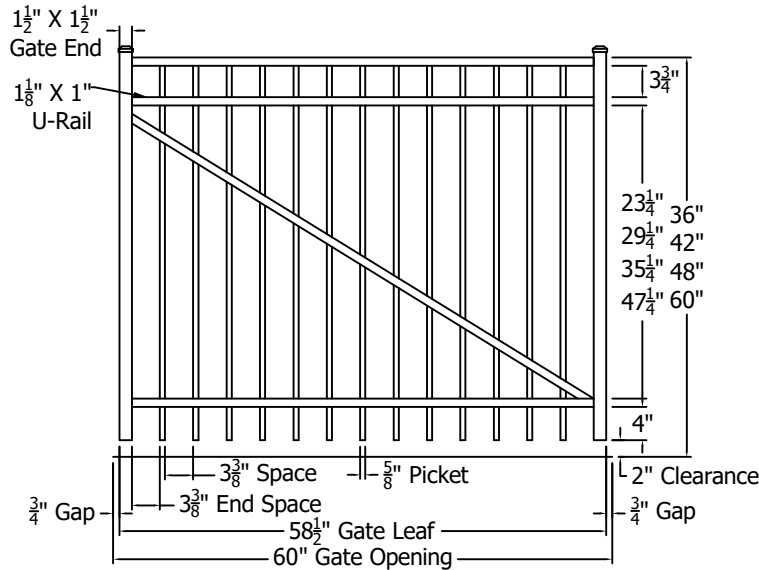
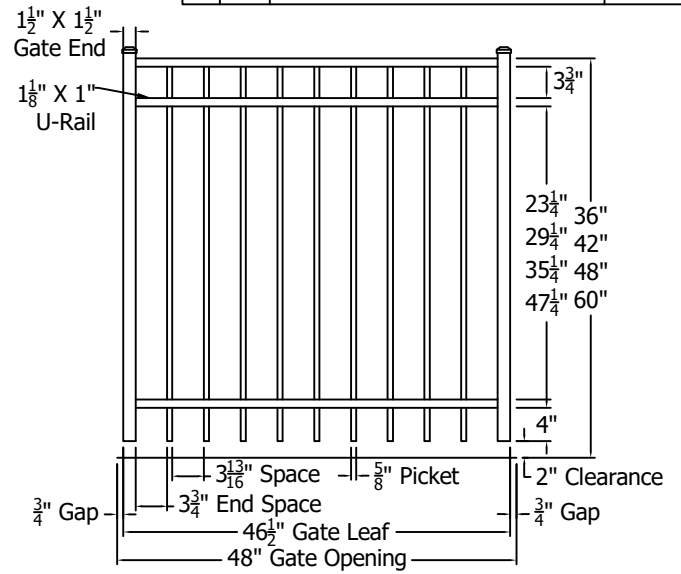
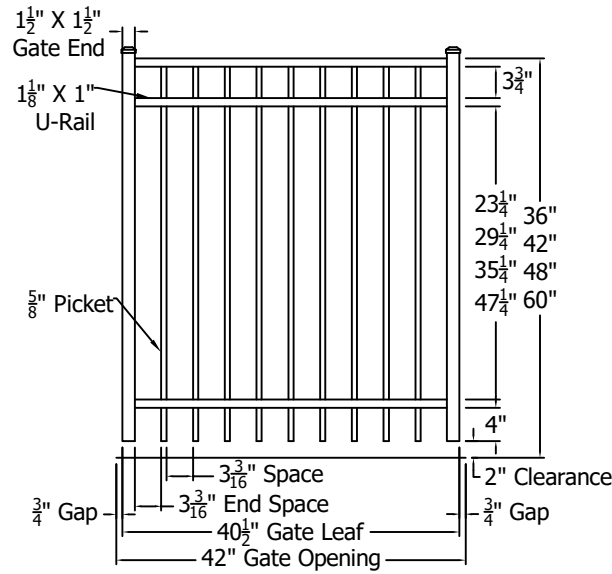
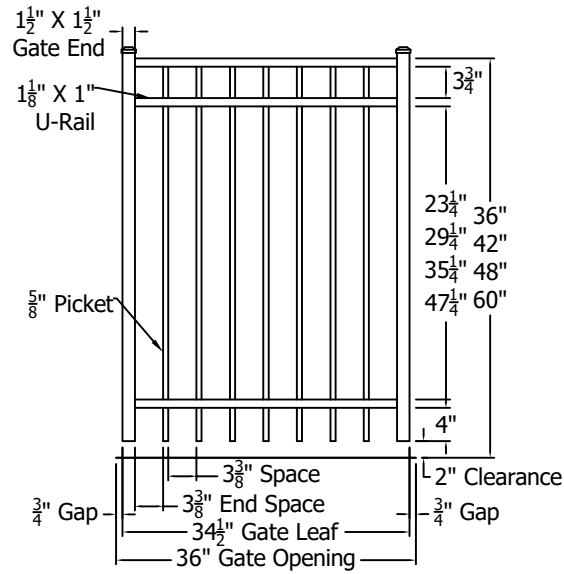
D



C

B

A

REV.	LOC.	REVISION	DATE



	 <p>3446 US 6 EAST Bremen, IN 46506 diggerspecialties.com</p>	DRAWN BY: EH DATE DRAWN: 02-18-2021	STYLE: 0230 Standard Gates
		SCALE = 1":1"	AS SHOWN: 48" T
		DRAFT NO.: 20210218-1E	LOC: Z:\Aluminum\CourtYard\Hundred Series\Hundred SRS Gates
		REV. A	

4

3

2

1

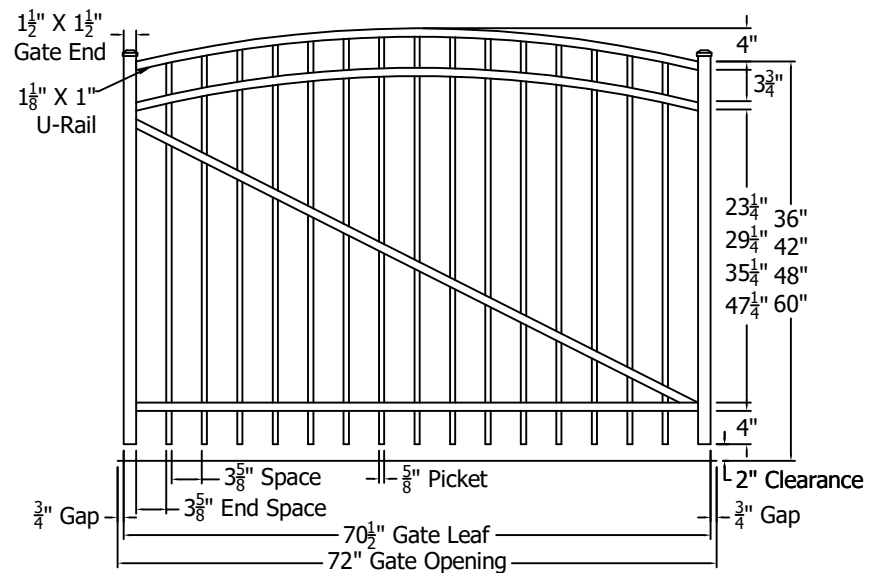
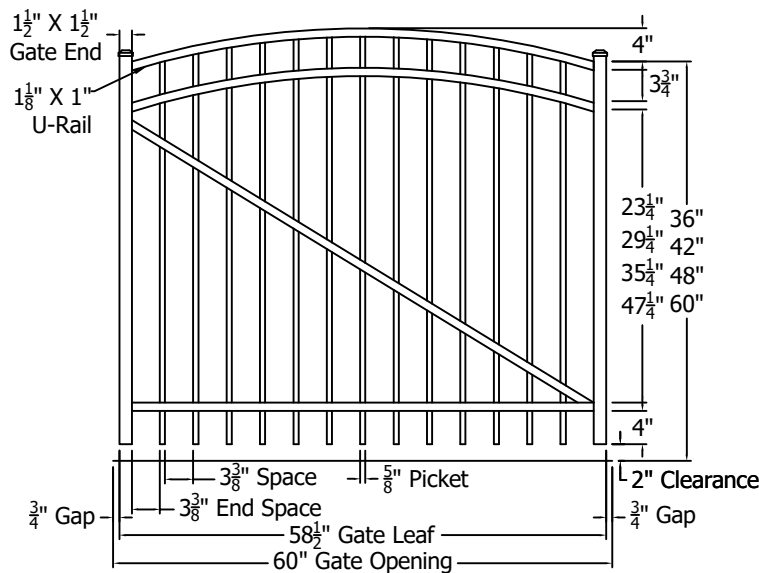
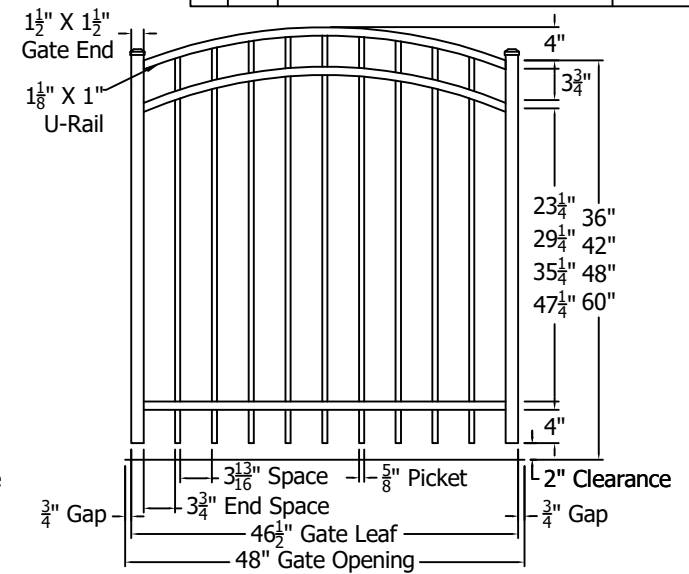
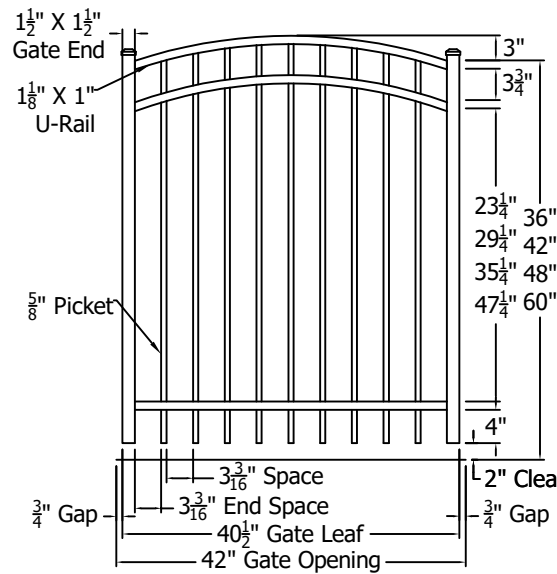
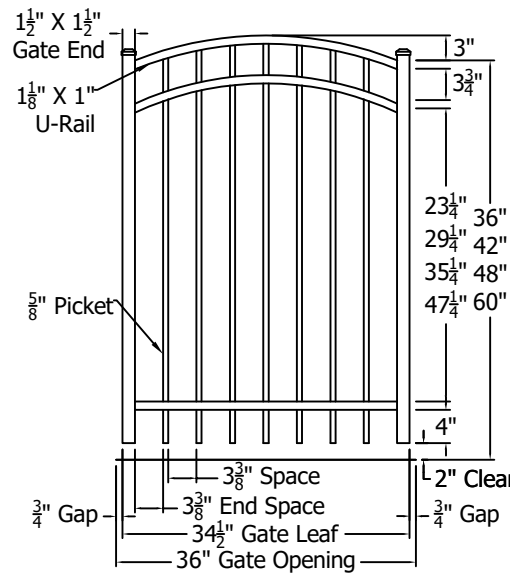
D



C

B

A

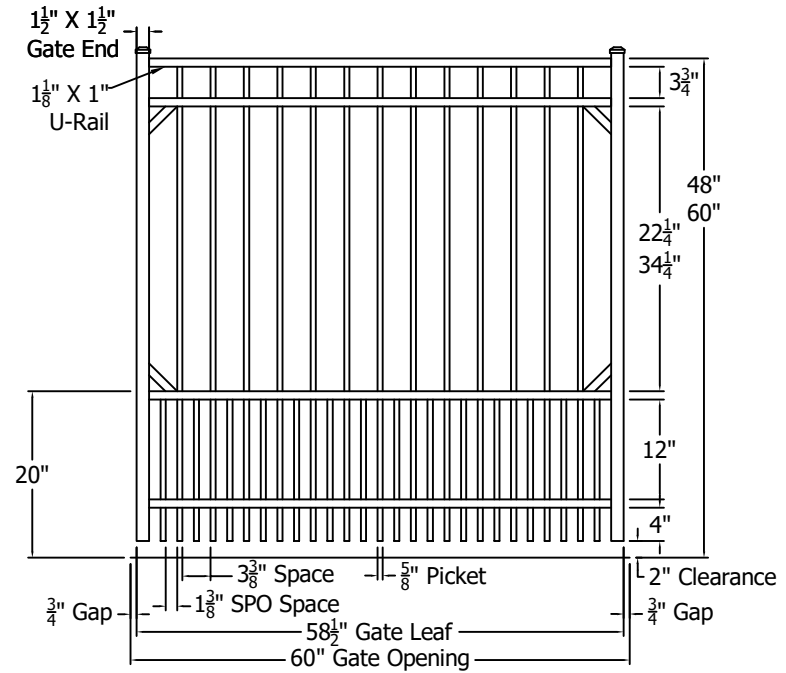
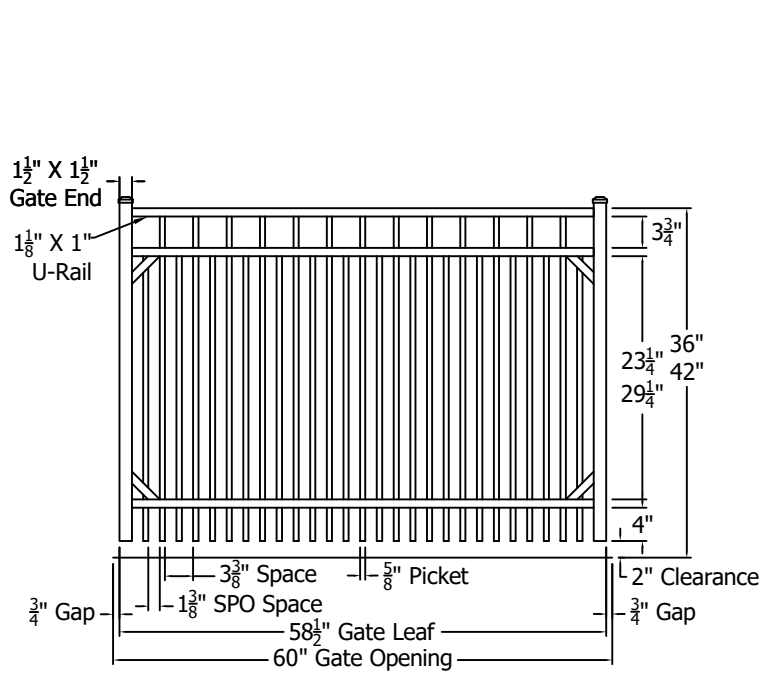
REV.	LOC.	REVISION	DATE








	 <p>3446 US 6 EAST Bremen, IN 46506 diggerspecialties.com</p>	DRAWN BY: EH DATE DRAWN: 02-18-2021	STYLE: 0230 Standard Gates Arched
		SCALE = 1":1"	AS SHOWN: 48" T
		DRAFT NO.: 20210218-1E	LOC: Z:\Aluminum\CourtYard\Hundred Series\Hundred SRS Gates
		REV. A	

NOTE: Gusset Bracing Required On Gates Over 48" Wide

REV.	LOC.	REVISION	DATE



Finial Options	
 Quad	 Triad
 Fleur-de-lis	

	 <p>3446 US 6 EAST Bremen, IN 46506 diggerspecialties.com</p>	DRAWN BY: EH	STYLE:
		DATE DRAWN: 02-18-2021	0230 Standard Gates SPO
		SCALE = 1":1"	AS SHOWN: 42" T, 60" T
		DRAFT NO.: 20210218-1E	LOC: Z:\Aluminum\CourtYard\Hundred Series\Hundred SRS Gates
			REV. A

4

3

2

1

D

C

B

A