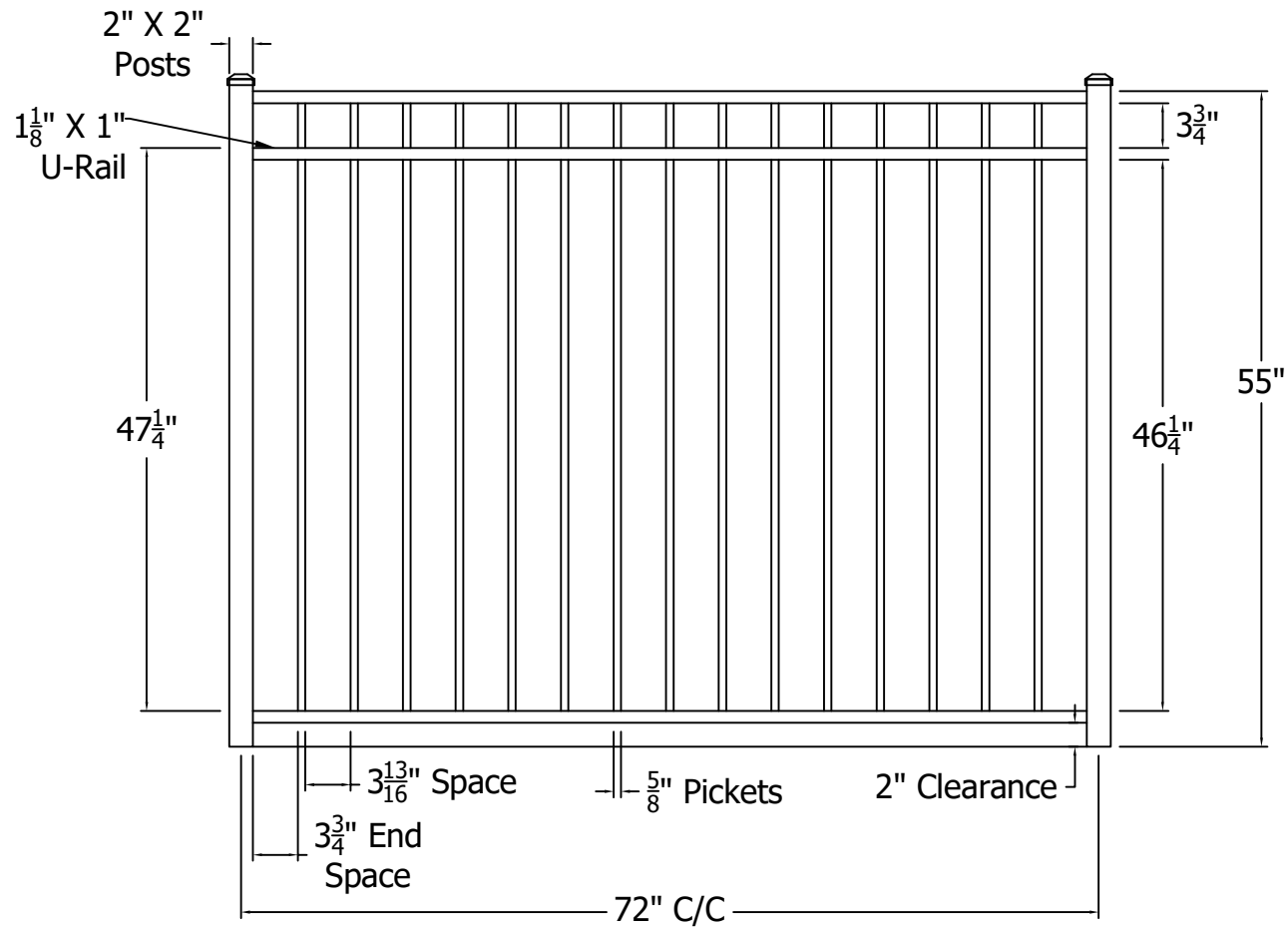


REV.	LOC.	REVISION	DATE



Complies With ASTM
F2409 And F1908
For Height And Spacing



DRAWN BY: EH
DATE DRAWN:
02-18-2021
SCALE = 1":1"
DRAFT NO.:
20210218-1E

STYLE:
0230 Pool
AS SHOWN: 72" W 55" T
LOC: Z:\Aluminum\CourtYard\Hundred Series\Hundred SRS Sections\Updated Standard Drawings
REV. A

4

3

2

1

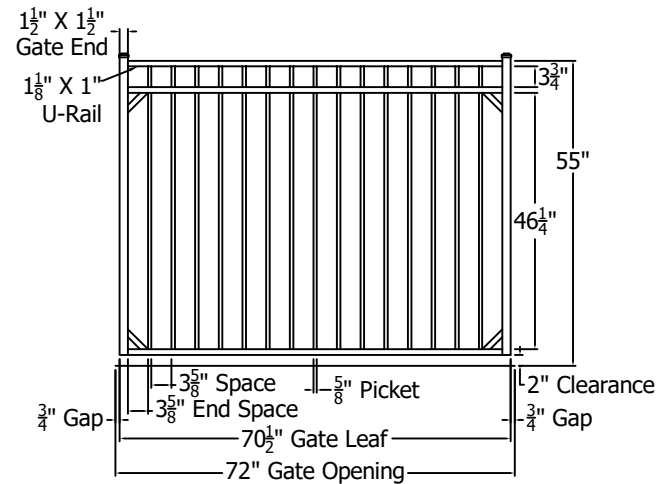
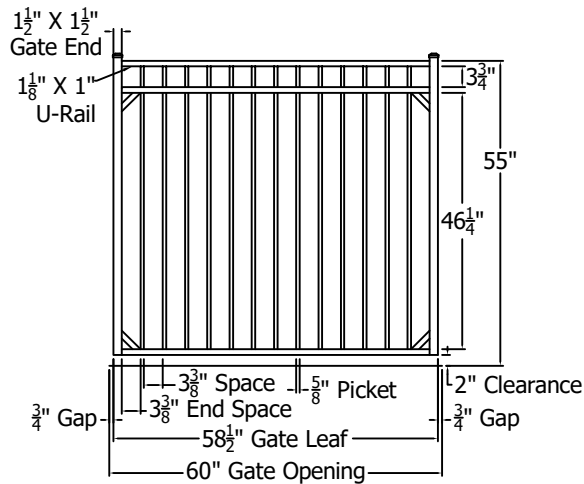
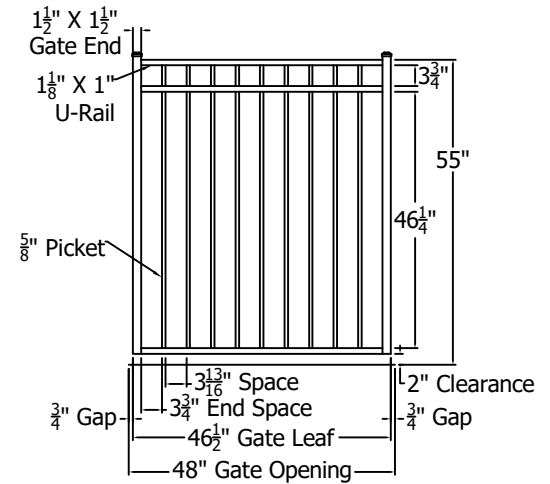
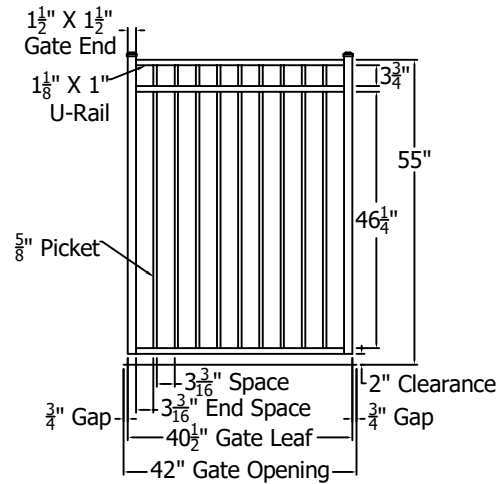
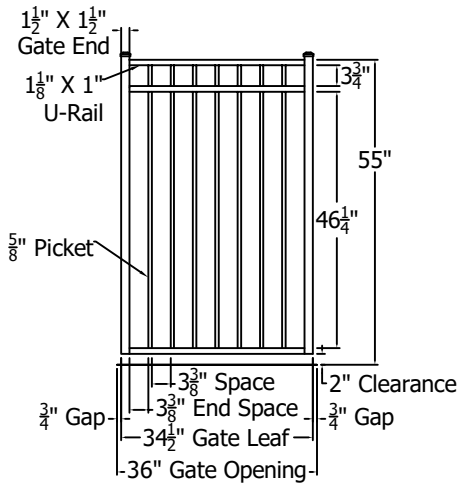
D

C

B

A

REV.	LOC.	REVISION	DATE



Complies With ASTM
F2409 And F1908
For Height And Spacing



DRAWN BY: EH
DATE DRAWN:
02-18-2021
SCALE = 1":1"
DRAFT NO.:
20210218-1E

STYLE:
**0230 Standard Gates
Pool**
AS SHOWN: 55" T
LOC: Z:\Aluminum\CourtYard\Hundred
Series\Hundred SRS Gates
REV.
A