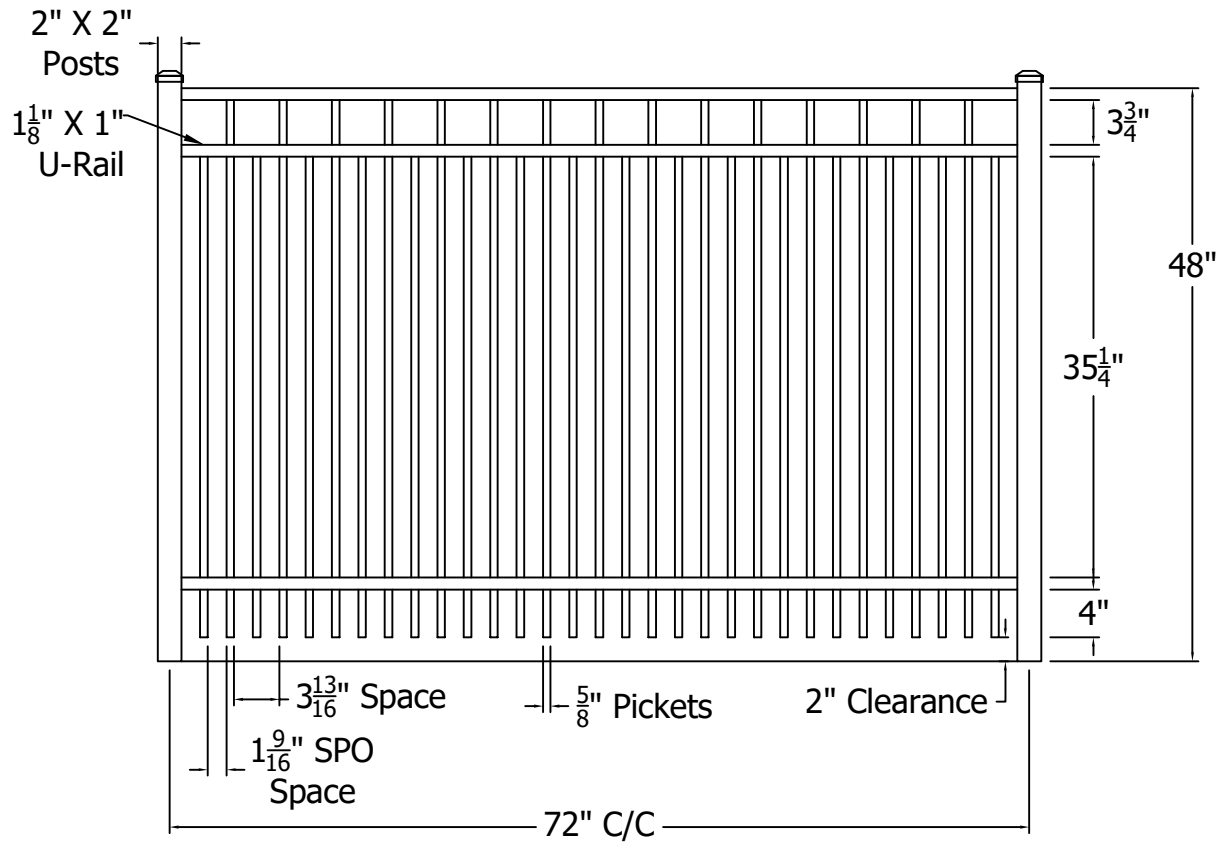




REV.	LOC.	REVISION	DATE



	 Digger Specialties Inc. <i>Transforming the Outdoor Living Experience™</i> 3446 US 6 EAST Bremen, IN 46506 diggerspecialties.com	DRAWN BY: EH	STYLE:
		DATE DRAWN: 02-18-2021	<b>0230 Double Pickets To Mid Rail</b>
		SCALE = 1":1"	AS SHOWN: 72" W 48" T
		DRAFT NO.: 20210218-1E	LOC: Z:\Aluminum\CourtYard\Hundred Series\Hundred SRS Sections\Updated Standard Drawings REV. A

4

3

2

1

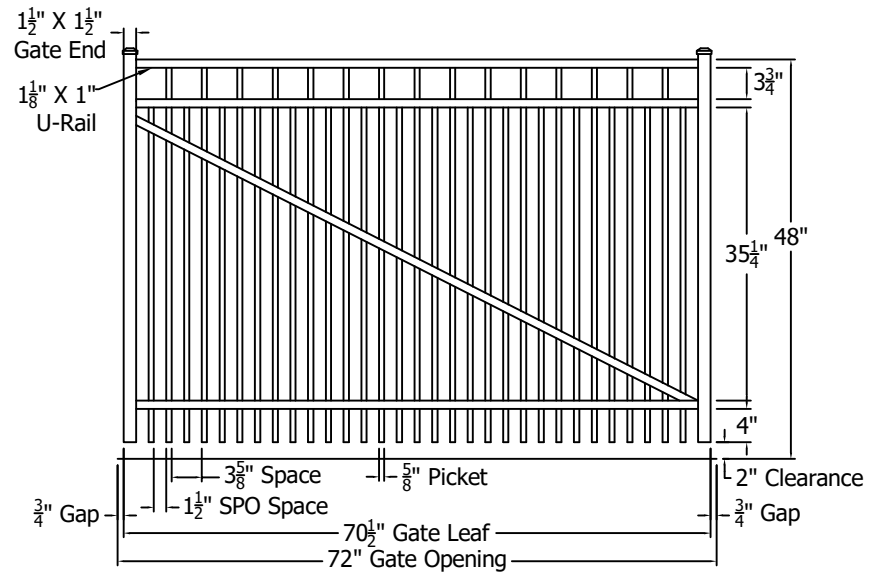
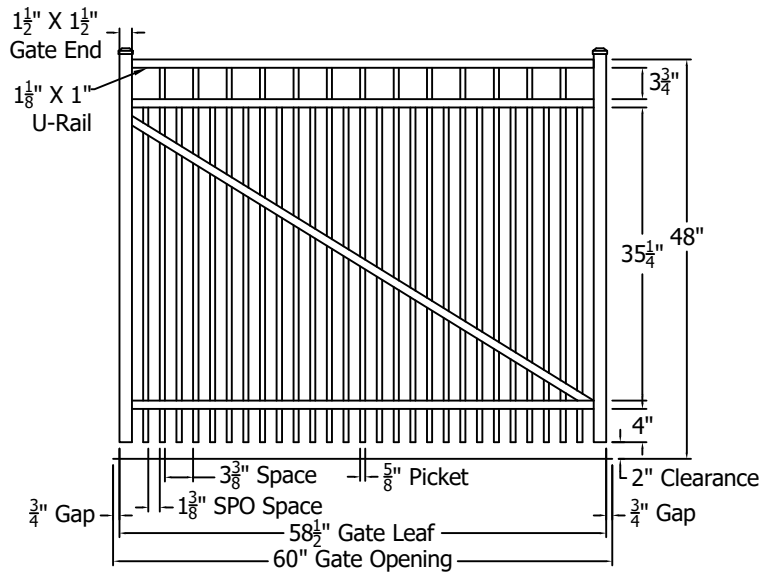
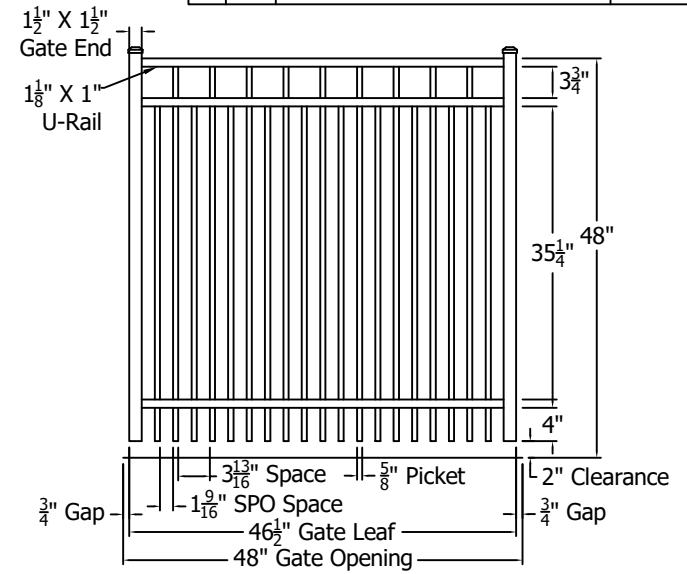
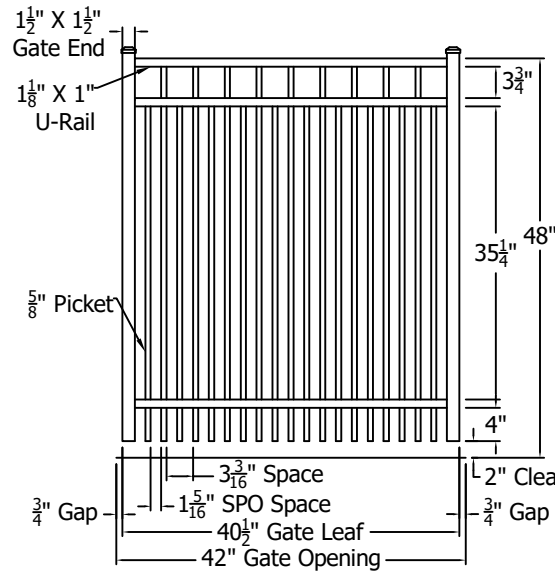
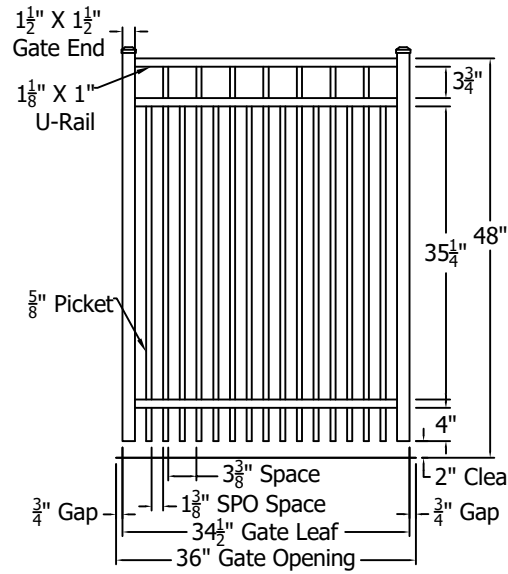
D



C

B

A

REV.	LOC.	REVISION	DATE



	 <p>3446 US 6 EAST Bremen, IN 46506 diggerspecialties.com</p>	DRAWN BY: EH DATE DRAWN: 02-18-2021	STYLE: <b>0230 Standard Gates Double Pickets</b>
		SCALE = 1":1"	AS SHOWN: 48" T
		DRAFT NO.: 20210218-1E	LOC: Z:\Aluminum\CourtYard\Hundred Series\Hundred SRS Gates
		REV. A	

4

3

2

1

D

C

B

A