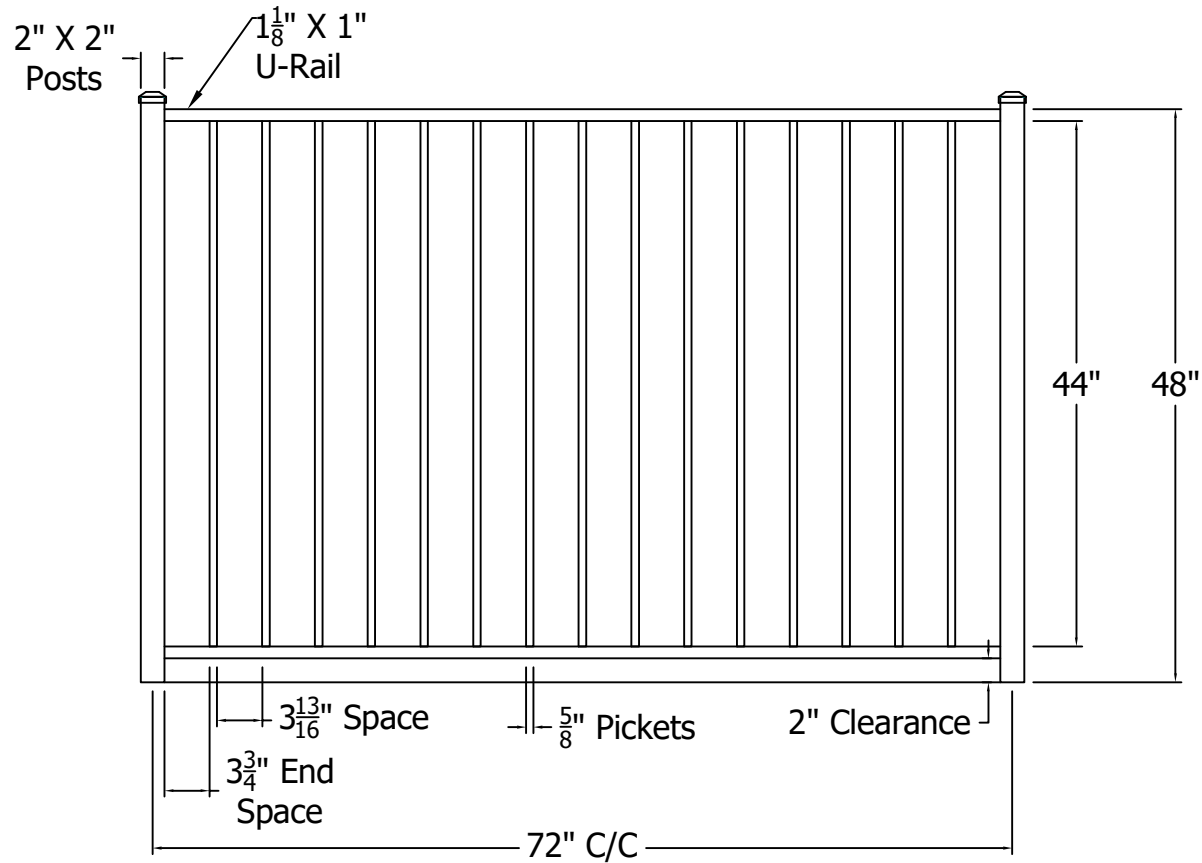


| REV. | LOC. | REVISION | DATE |
|------|------|----------|------|
| | | | |
| | | | |
| | | | |
| | | | |



Complies With ASTM
F2409 And F1908
For Height And Spacing



DRAWN BY: EH
DATE DRAWN:
01-05-2021
SCALE = 1":1"
DRAFT NO.:
20210105-1E

STYLE:
0220
AS SHOWN: 72" W 48" T

LOC: Z:\Aluminum\CourtYard\Hundred Series\Hundred SRS Sections\Updated Standard Drawings

REV.
A

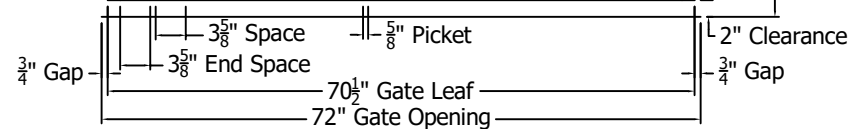
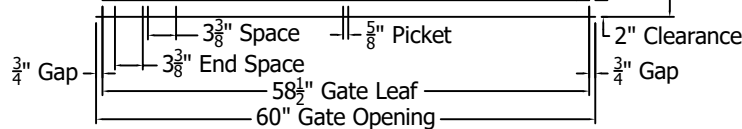
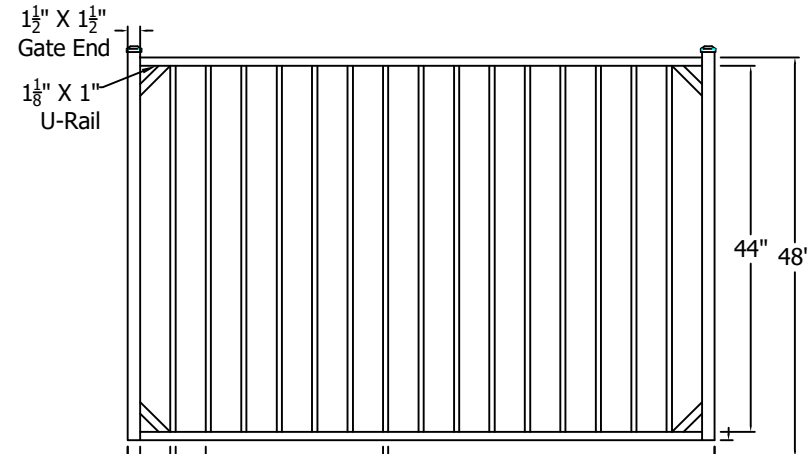
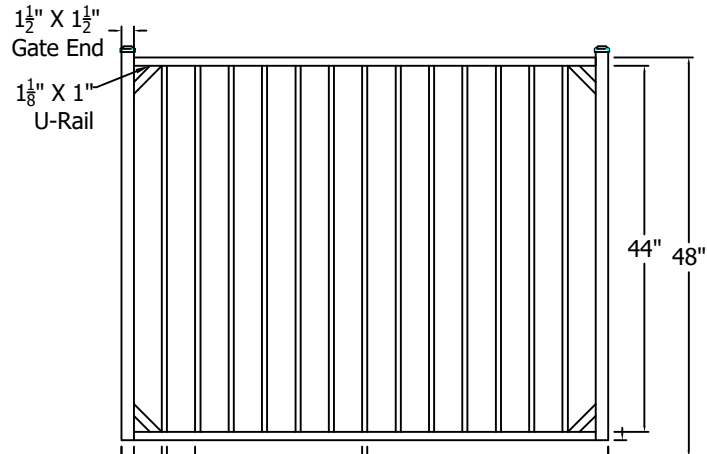
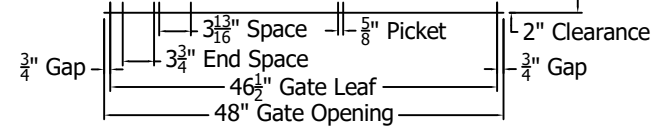
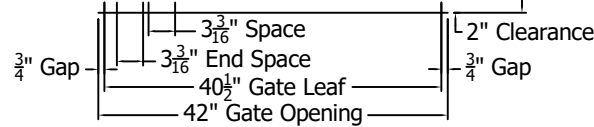
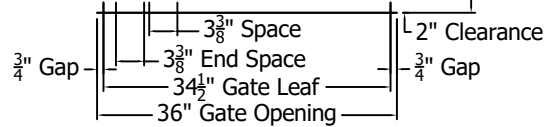
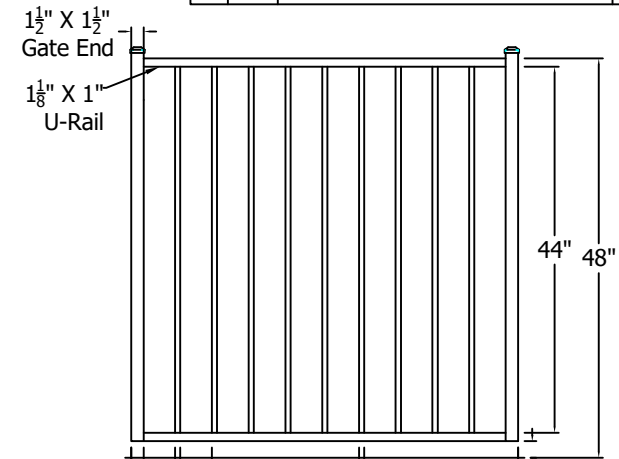
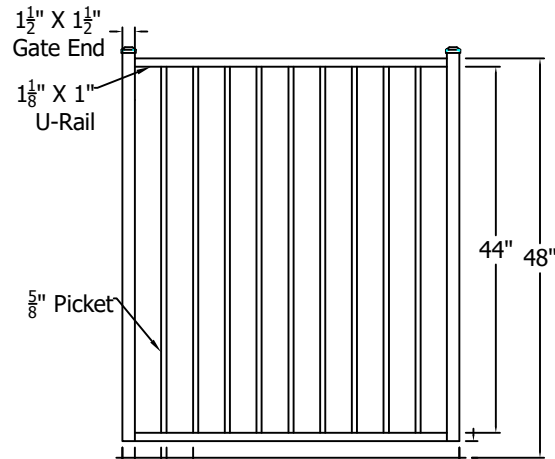
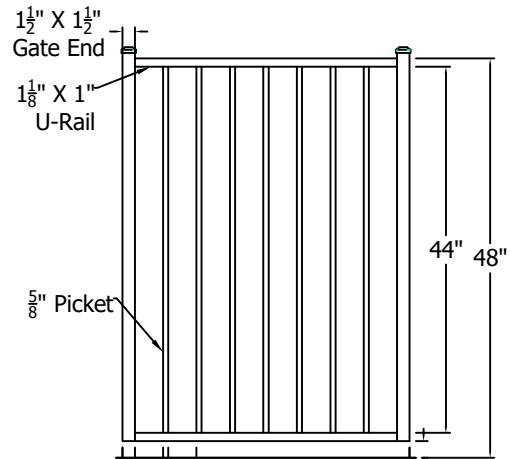
4

3

2

1

| REV. | LOC. | REVISION | DATE |
|------|------|----------|------|
| | | | |
| | | | |
| | | | |



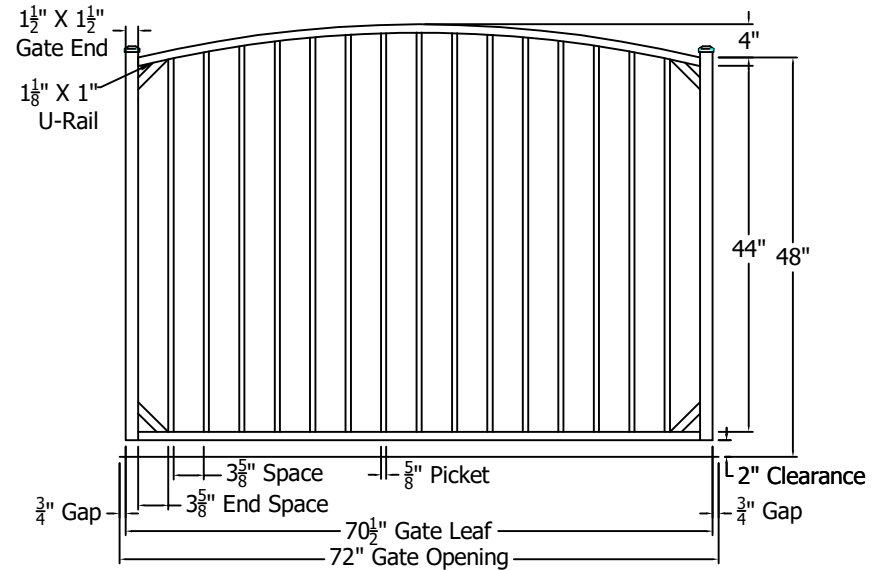
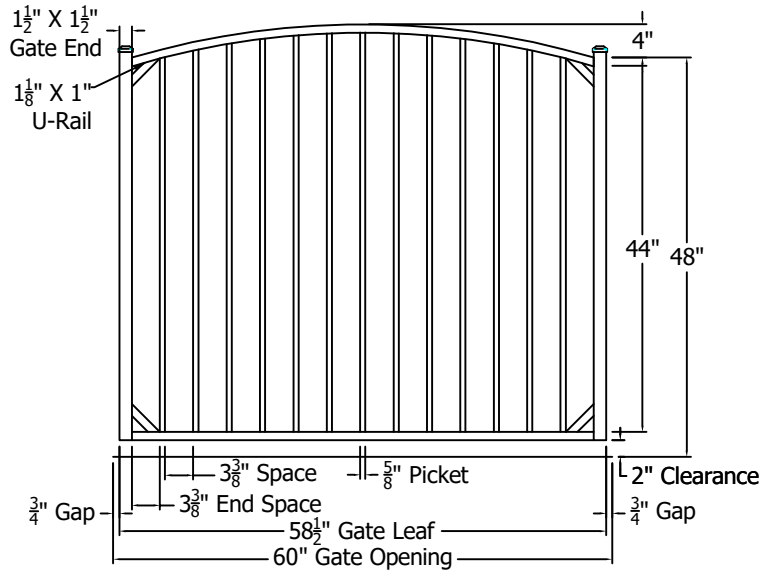
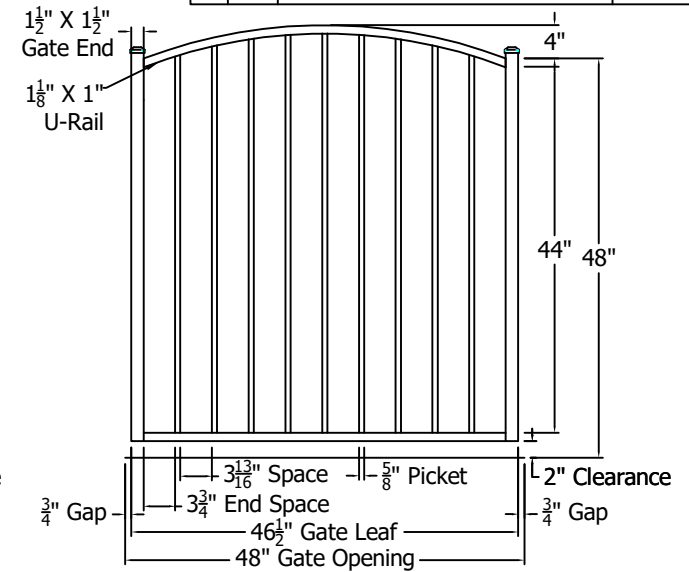
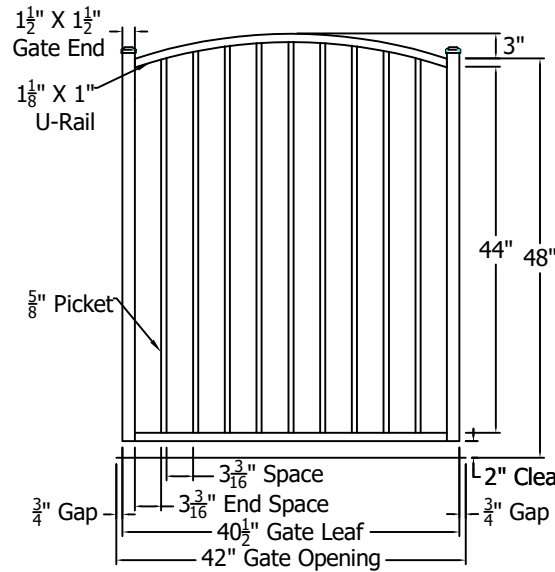
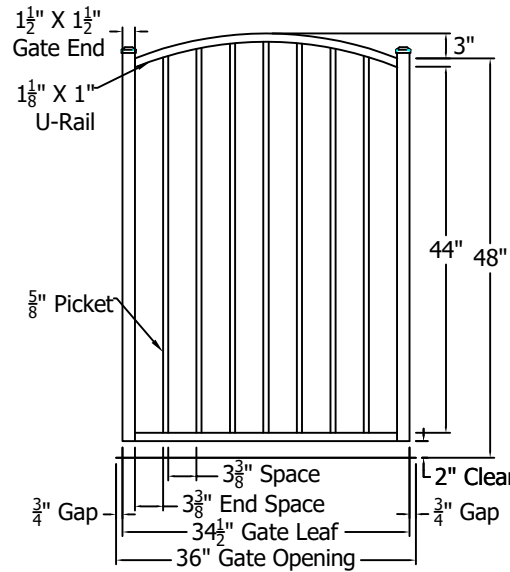
Complies With ASTM
F2409 And F1908
For Height And Spacing



DRAWN BY: EH
DATE DRAWN:
01-05-2021
SCALE = 1":1"
DRAFT NO.:
20210105-1E

STYLE:
0220 Standard Gates
AS SHOWN: 48" T
LOC: Z:\Aluminum\CourtYard\Hundred Series\Hundred SRS Gates
REV.
A

| REV. | LOC. | REVISION | DATE |
|------|------|----------|------|
| | | | |
| | | | |
| | | | |



Complies With ASTM
F2409 And F1908
For Height And Spacing



DRAWN BY: EH
DATE DRAWN:
01-05-2021
SCALE = 1":1"
DRAFT NO.:
20210105-1E

STYLE:
**0220 Standard Gates
Arched**
AS SHOWN: 48" T
LOC: Z:\Aluminum\CourtYard\Hundred
Series\Hundred SRS Gates

REV.
A