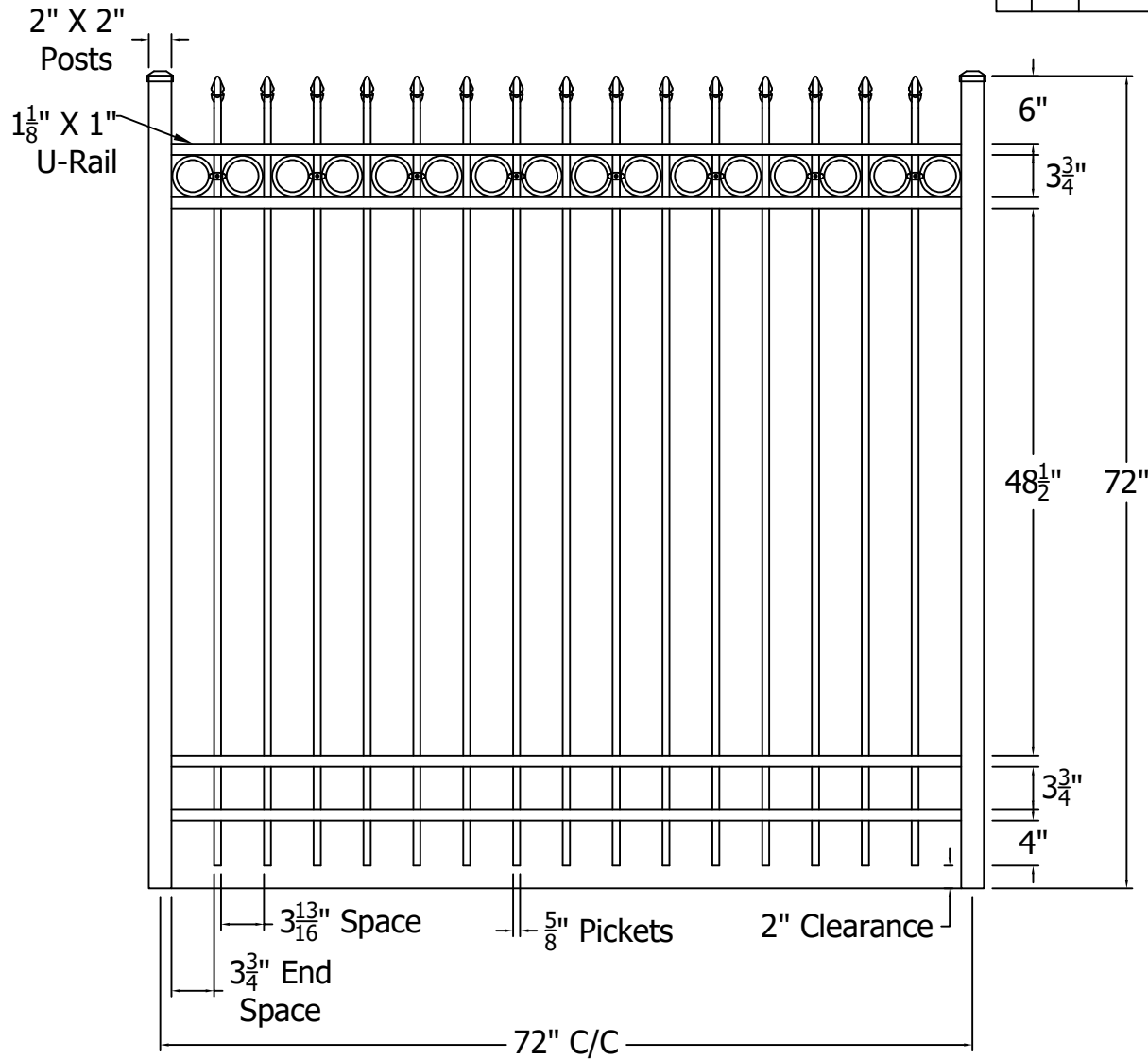





REV.	LOC.	REVISION	DATE



Finial Options	
 Quad	 Triad
 Fleur-de-lis	



DSI Digger Specialties Inc.
Transforming the Outdoor Living Experience™
 3446 US 6 EAST
 Bremen, IN 46506
 diggerspecialties.com

DRAWN BY: EH	STYLE:	0141R
DATE DRAWN: 01-18-2021		
SCALE = 1":1"	AS SHOWN: 72" T	
DRAFT NO.: 20210118-1E	LOC: Z:\Aluminum\CourtYard\Hundred Series\Hundred SRS Sections\Updated Standard Drawings	REV. A

4

3

2

1

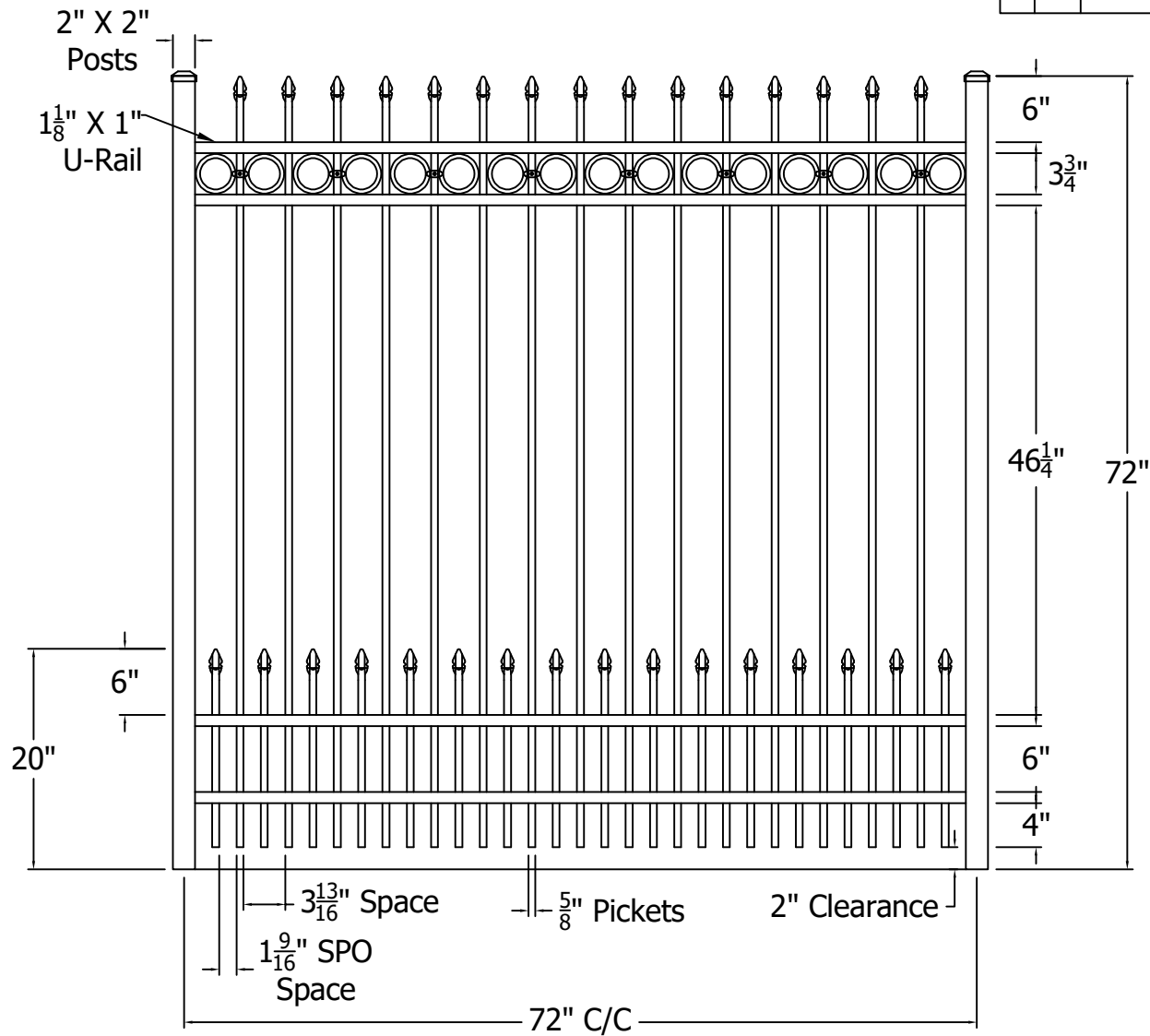
D




C

B

A

REV.	LOC.	REVISION	DATE



Finial Options	
 Quad	 Triad
 Fleur-de-lis	



DRAWN BY: EH	STYLE:	0141R Short Picket Option	REV. A
DATE DRAWN: 01-18-2021	AS SHOWN: 72" T		
SCALE = 1":1"	LOC: Z:\Aluminum\CourtYard\Hundred Series\Hundred SRS Sections\Updated Standard Drawings		
DRAFT NO.: 20210118-1E			

4

3

2

1

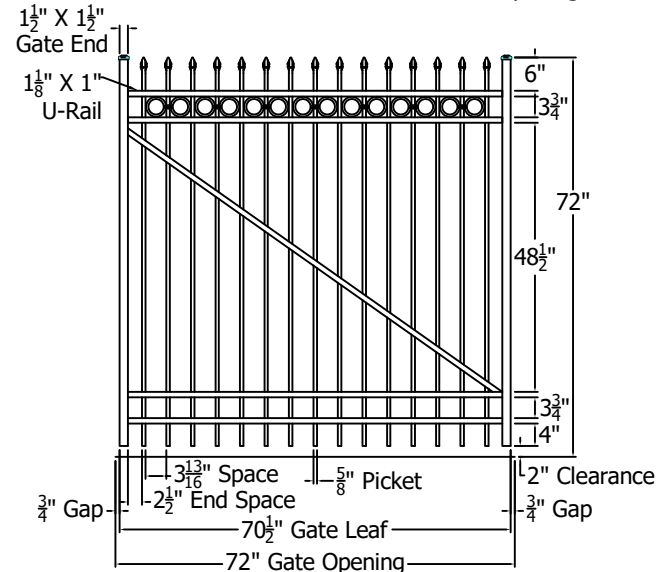
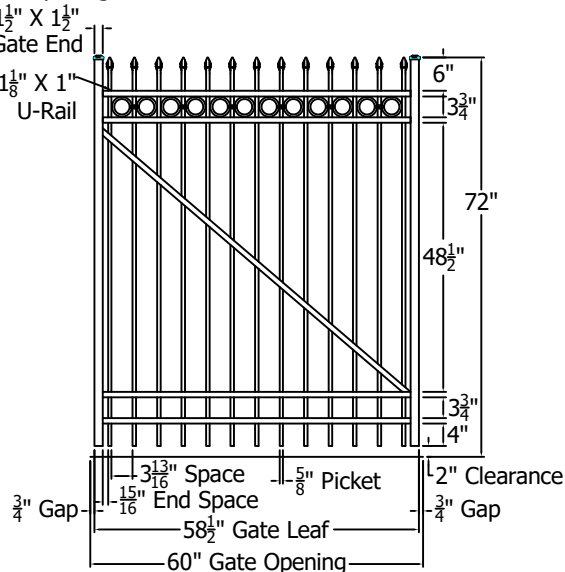
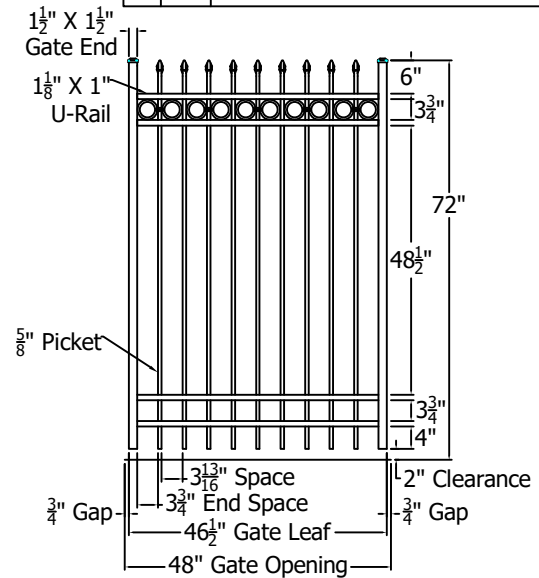
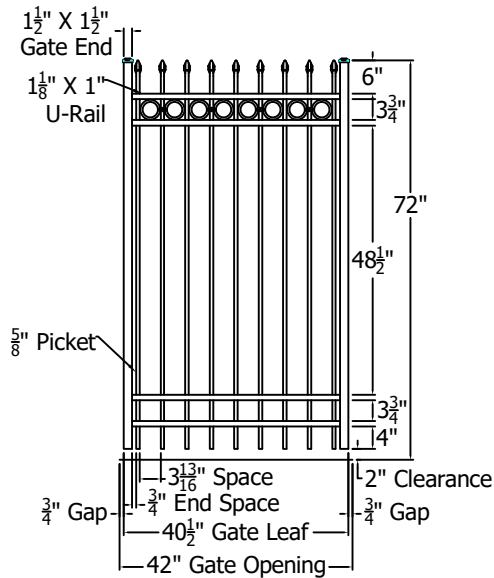
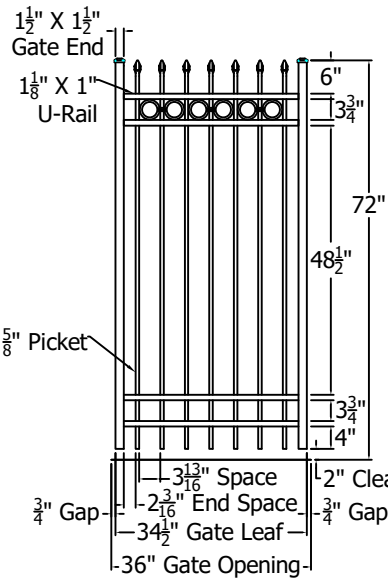
D

C

B

A

REV.	LOC.	REVISION	DATE



Finial Options	
Quad	Triad
Fleur-de-lis	

	<p>3446 US 6 EAST Bremen, IN 46506 diggerspecialties.com</p>	DRAWN BY: EH	STYLE: 0141R Standard Gates
		DATE DRAWN: 01-18-2021	
		SCALE = 1"=1"	LOC: Z:\Aluminum\CourtYard\Hundred Series\Hundred SRS Gates
		DRAFT NO.: 20210118-1E	

4

3

2

1

D

C

B

A