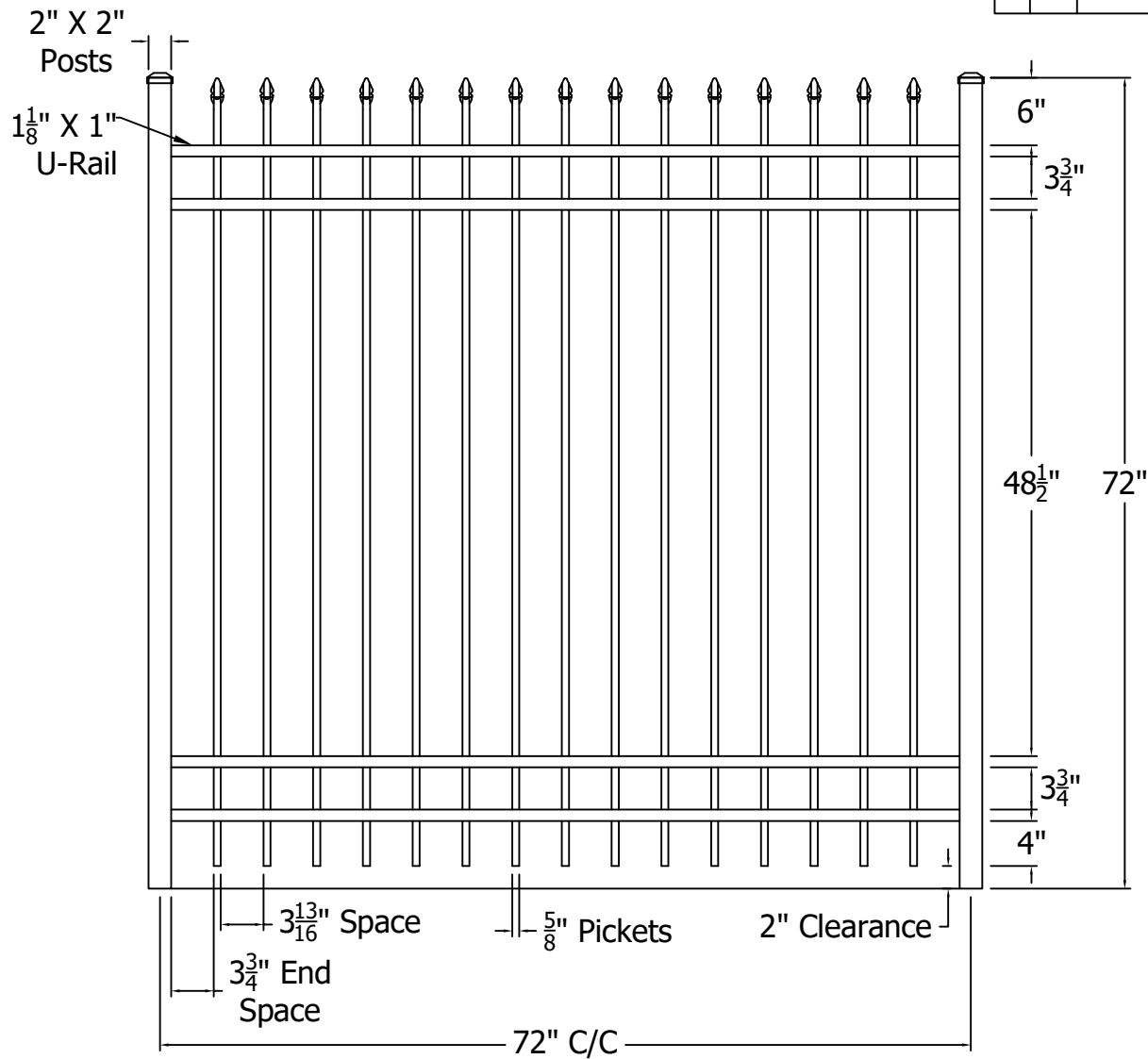





REV.	LOC.	REVISION	DATE



Finial Options	
 Quad	 Triad
 Fleur-de-lis	



DRAWN BY: EH	STYLE:	0141
DATE DRAWN: 01-18-2021		
SCALE = 1":1"	AS SHOWN: 72" T	
DRAFT NO.: 20210118-1E	LOC: Z:\Aluminum\CourtYard\Hundred Series\Hundred SRS Sections\Updated Standard Drawings	REV. A

4

3

2

1

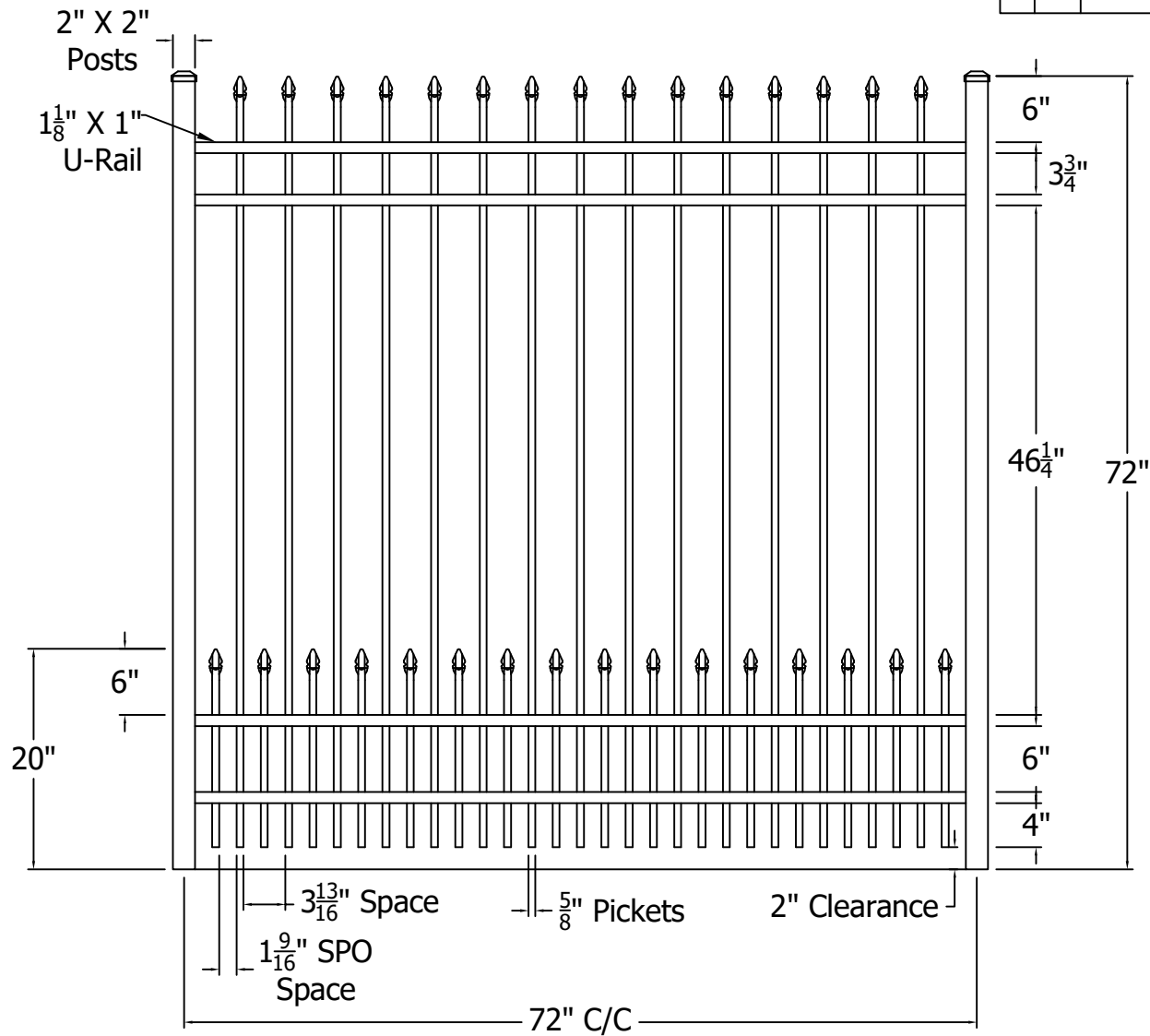
D




C

B

A

REV.	LOC.	REVISION	DATE



Finial Options	
 Quad	 Triad
 Fleur-de-lis	



DRAWN BY: EH	STYLE:	0141 Short Picket Option	REV. A
DATE DRAWN: 01-18-2021	AS SHOWN: 72" T		
SCALE = 1":1"	LOC: Z:\Aluminum\CourtYard\Hundred Series\Hundred SRS Sections\Updated Standard Drawings		
DRAFT NO.: 20210118-1E			

4

3

2

1

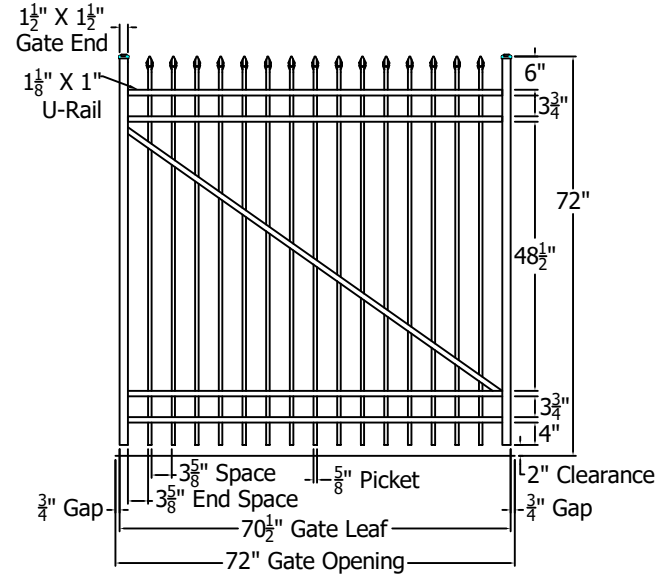
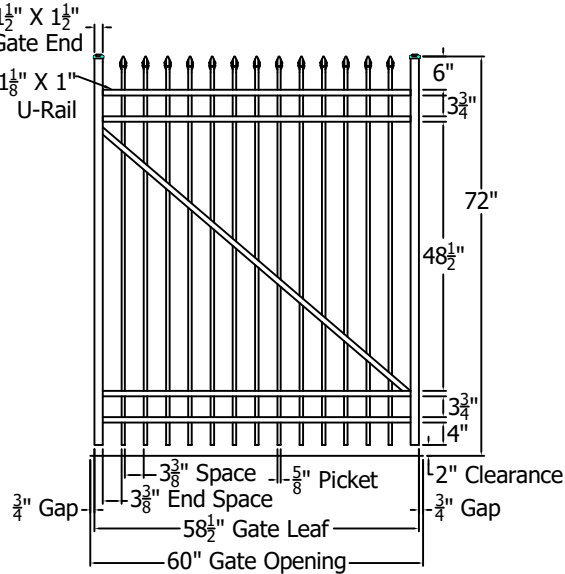
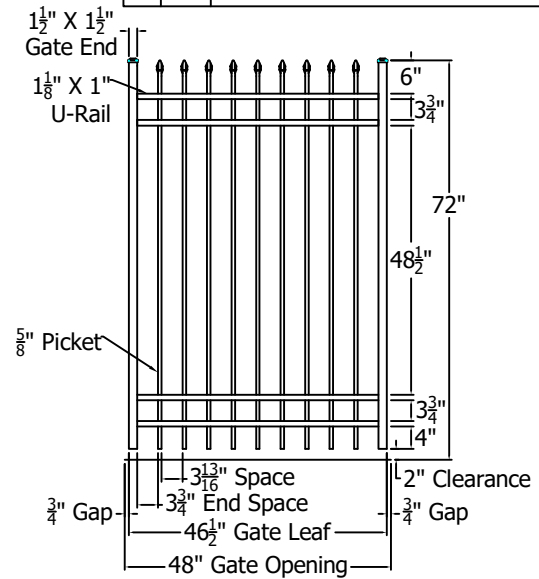
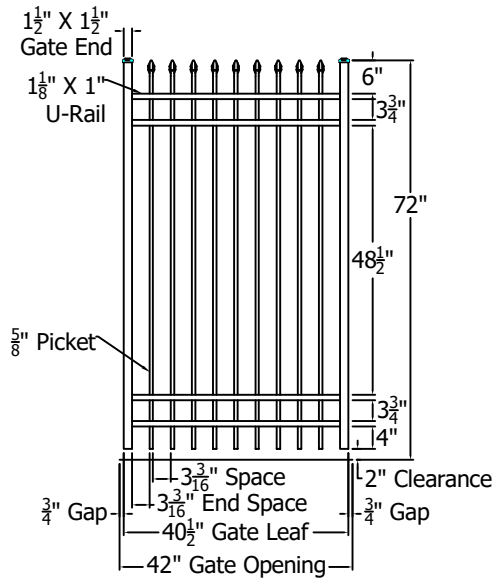
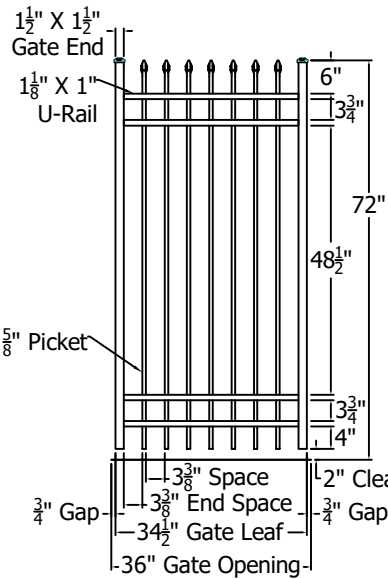
D




C



B

A

REV.	LOC.	REVISION	DATE



Finial Options	
	
Quad	Triad
	
Fleur-de-lis	

	 DSI Digger Specialties Inc. <i>Transforming the Outdoor Living Experience™</i>	DRAWN BY: EH DATE DRAWN: 01-18-2021	STYLE: 0141 Standard Gates
		SCALE = 1":1"	AS SHOWN: 72" T
		DRAFT NO.: 20210118-1E	LOC: Z:\Aluminum\CourtYard\Hundred Series\Hundred SRS Gates
		3446 US 6 EAST Bremen, IN 46506 diggerspecialties.com	REV. A

4

3

2

1

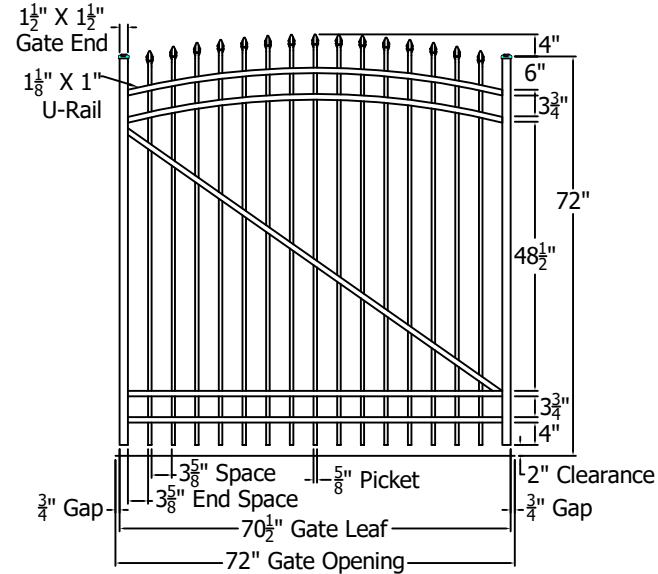
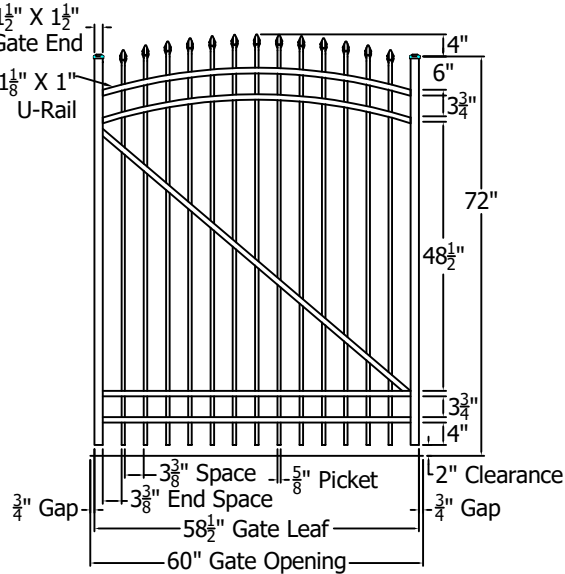
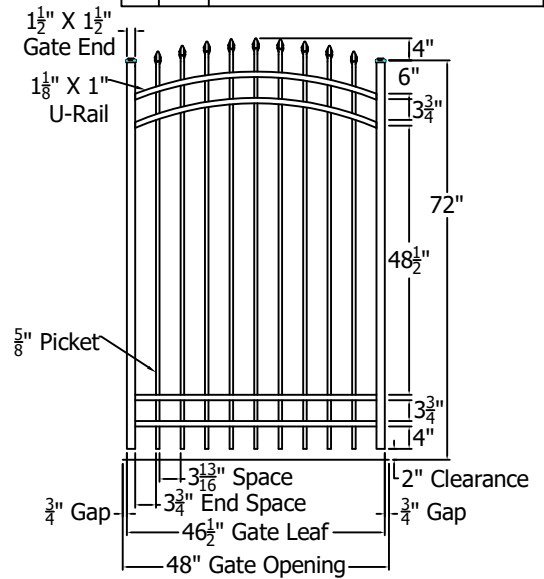
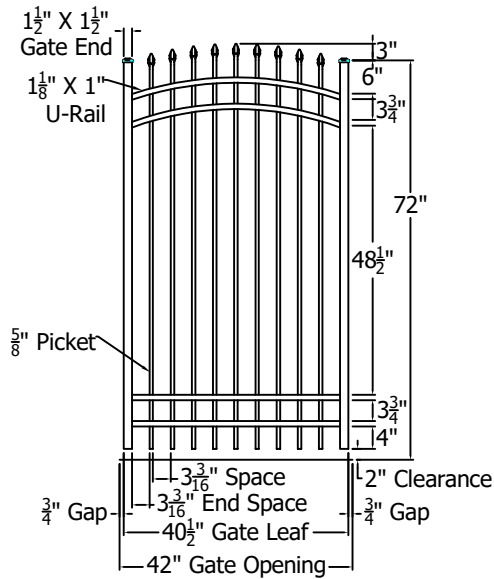
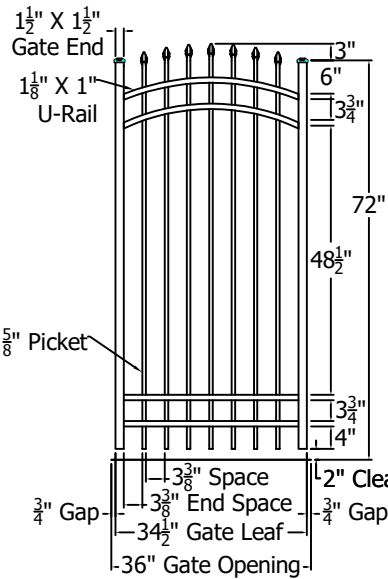
D

C

B

A

REV.	LOC.	REVISION	DATE



Finial Options	
Quad	Triad
Fleur-de-lis	

	<p>3446 US 6 EAST Bremen, IN 46506 diggerspecialties.com</p>	DRAWN BY: EH	STYLE:
		DATE DRAWN: 01-18-2021	0141 Standard Gates Arched
		SCALE = 1":1"	AS SHOWN: 72" T
		DRAFT NO.: 20210118-1E	LOC: Z:\Aluminum\CourtYard\Hundred Series\Hundred SRS Gates
			REV. A

4

3

2

1

D

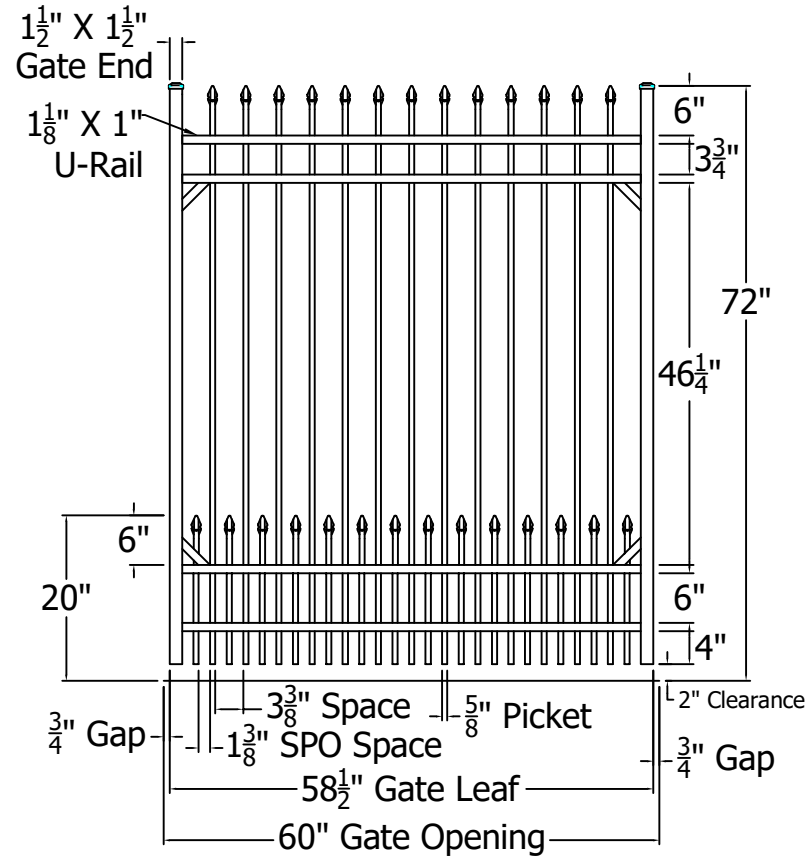
C



B

A

NOTE: Gusset Bracing Required On Gates Over 48" Wide

REV.	LOC.	REVISION	DATE



	 <p>Transforming the Outdoor Living Experience™</p>	DRAWN BY: EH DATE DRAWN: 01-18-2021	STYLE: 0141 Standard Gates SPO
		SCALE = 1":1" DRAFT NO.: 20210118-1E	AS SHOWN: 72" T LOC: Z:\Aluminum\CourtYard\Hundred Series\Hundred SRS Gates
3446 US 6 EAST Bremen, IN 46506 diggerspecialties.com		REV.	A

4

3

2

1

D

C

B

A