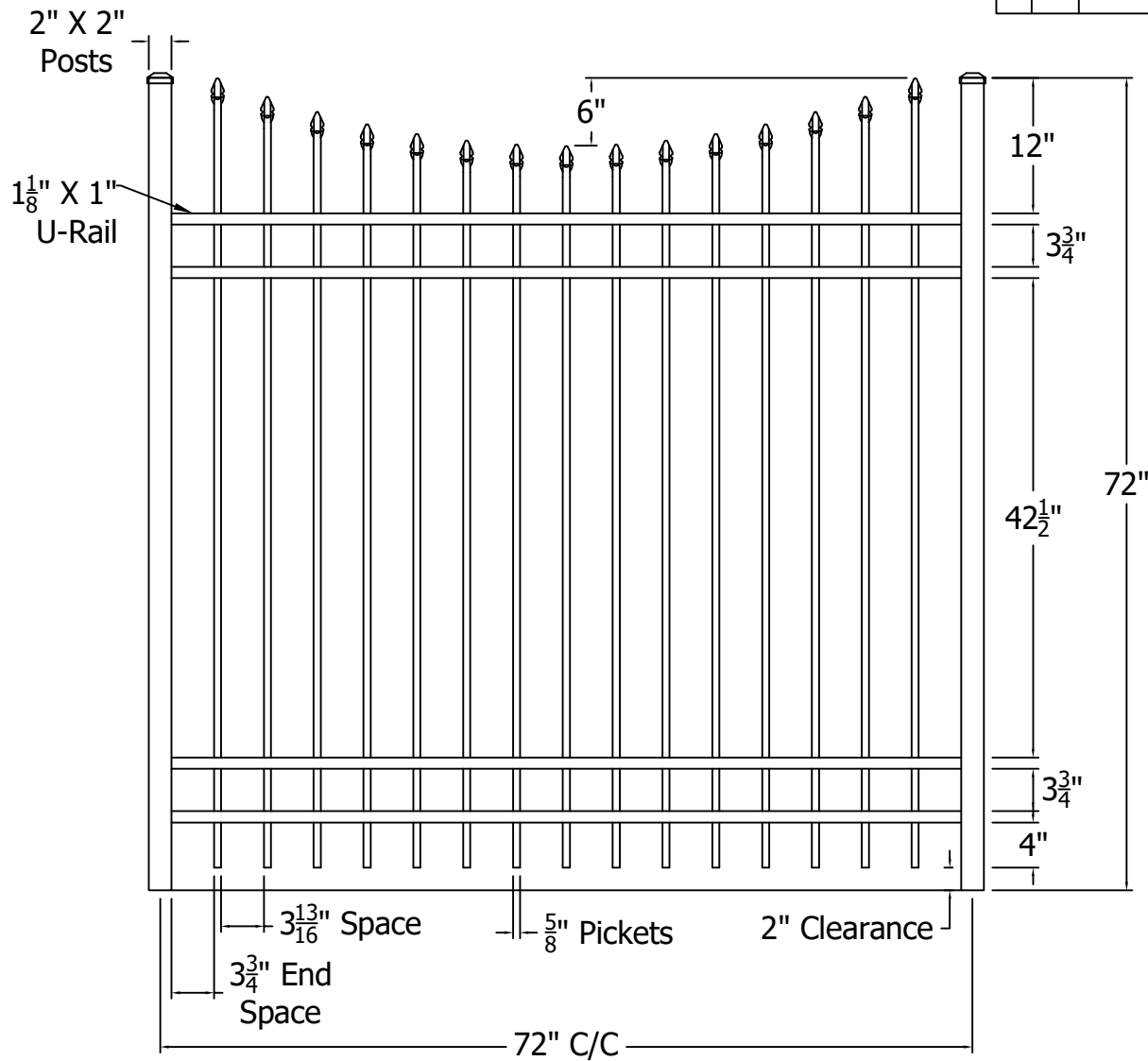







REV.	LOC.	REVISION	DATE



Finial Options	
 Quad	 Triad
 Fleur-de-lis	

	 <p>3446 US 6 EAST Bremen, IN 46506 diggerspecialties.com</p>	DRAWN BY: EH	STYLE:
		DATE DRAWN: 01-18-2021	0141 Concave
		SCALE = 1":1"	AS SHOWN: 72" T
		DRAFT NO.: 20210118-1E	LOC: Z:\Aluminum\CourtYard\Hundred Series\Hundred SRS Sections\Updated Standard Drawings
			REV. A

4

3

2

1

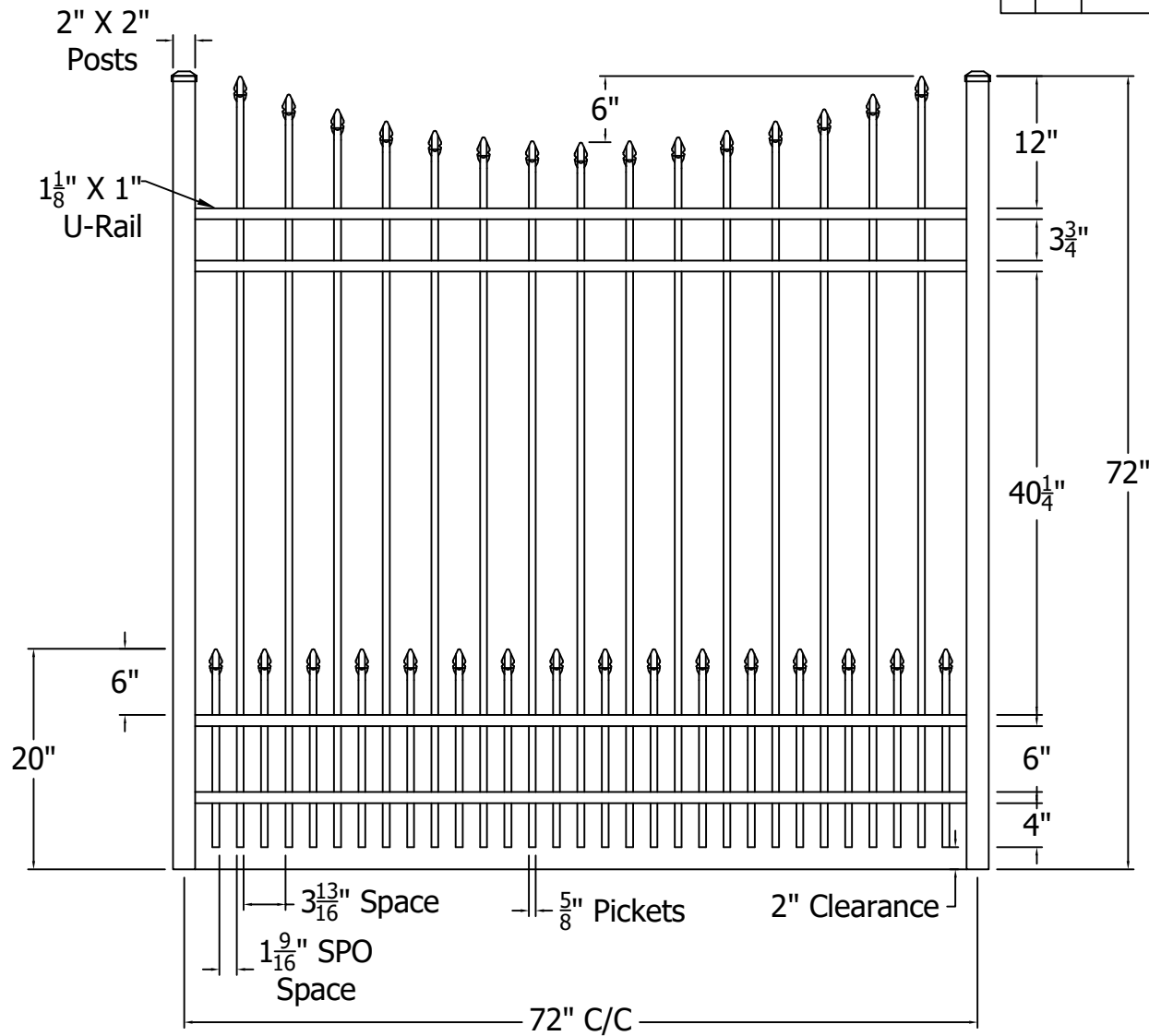
D




C



B

A

REV.	LOC.	REVISION	DATE



Finial Options	
 Quad	 Triad
 Fleur-de-lis	

	 <i>Transforming the Outdoor Living Experience™</i> 3446 US 6 EAST Bremen, IN 46506 diggerspecialties.com	DRAWN BY: EH DATE DRAWN: 01-18-2021 SCALE = 1":1"	STYLE: 0141 Concave Short Picket Option AS SHOWN: 72" T
		DRAFT NO.: 20210118-1E	LOC: Z:\Aluminum\CourtYard\Hundred Series\Hundred SRS Sections\Updated Standard Drawings REV. A

4

3

2

1

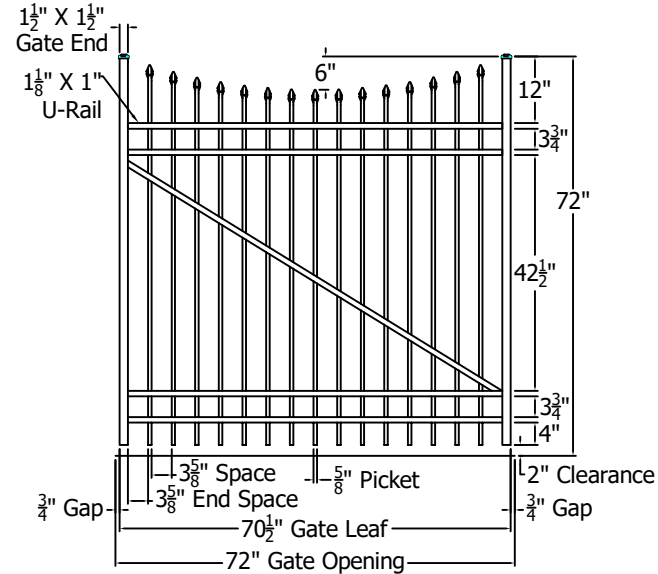
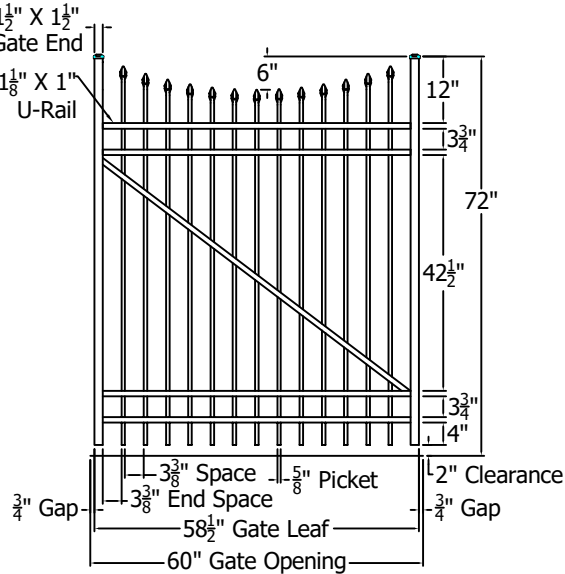
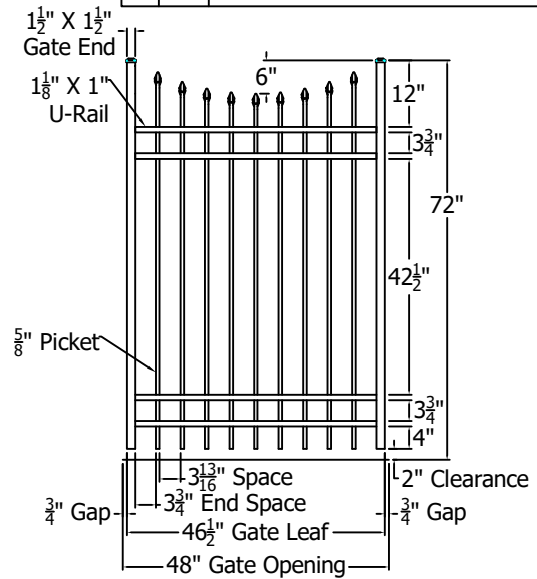
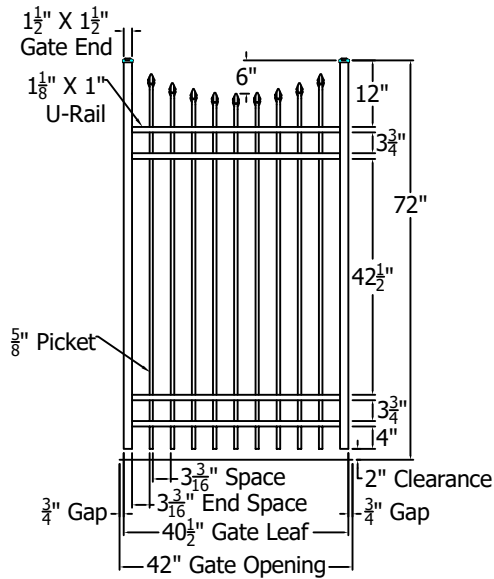
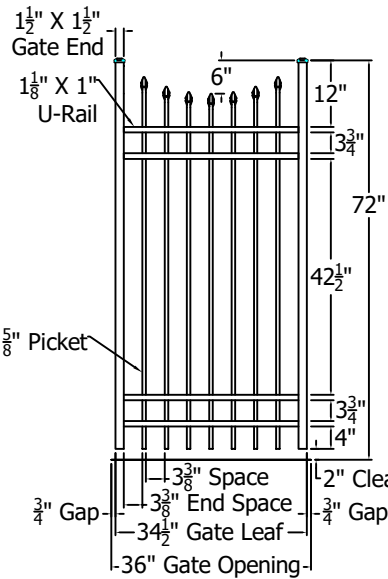
D

C

B

A

REV.	LOC.	REVISION	DATE



Finial Options	
Quad	Triad
Fleur-de-lis	

	<p>Transforming the Outdoor Living Experience™</p> <p>3446 US 6 EAST Bremen, IN 46506 diggerspecialties.com</p>	DRAWN BY: EH	STYLE:
		DATE DRAWN: 01-18-2021	0141 Concave Standard Gates
		SCALE = 1":1"	AS SHOWN: 72" T
		DRAFT NO.: 20210118-1E	LOC: Z:\Aluminum\CourtYard\Hundred Series\Hundred SRS Gates
			REV. A

4

3

2

1

D

C

B

A

