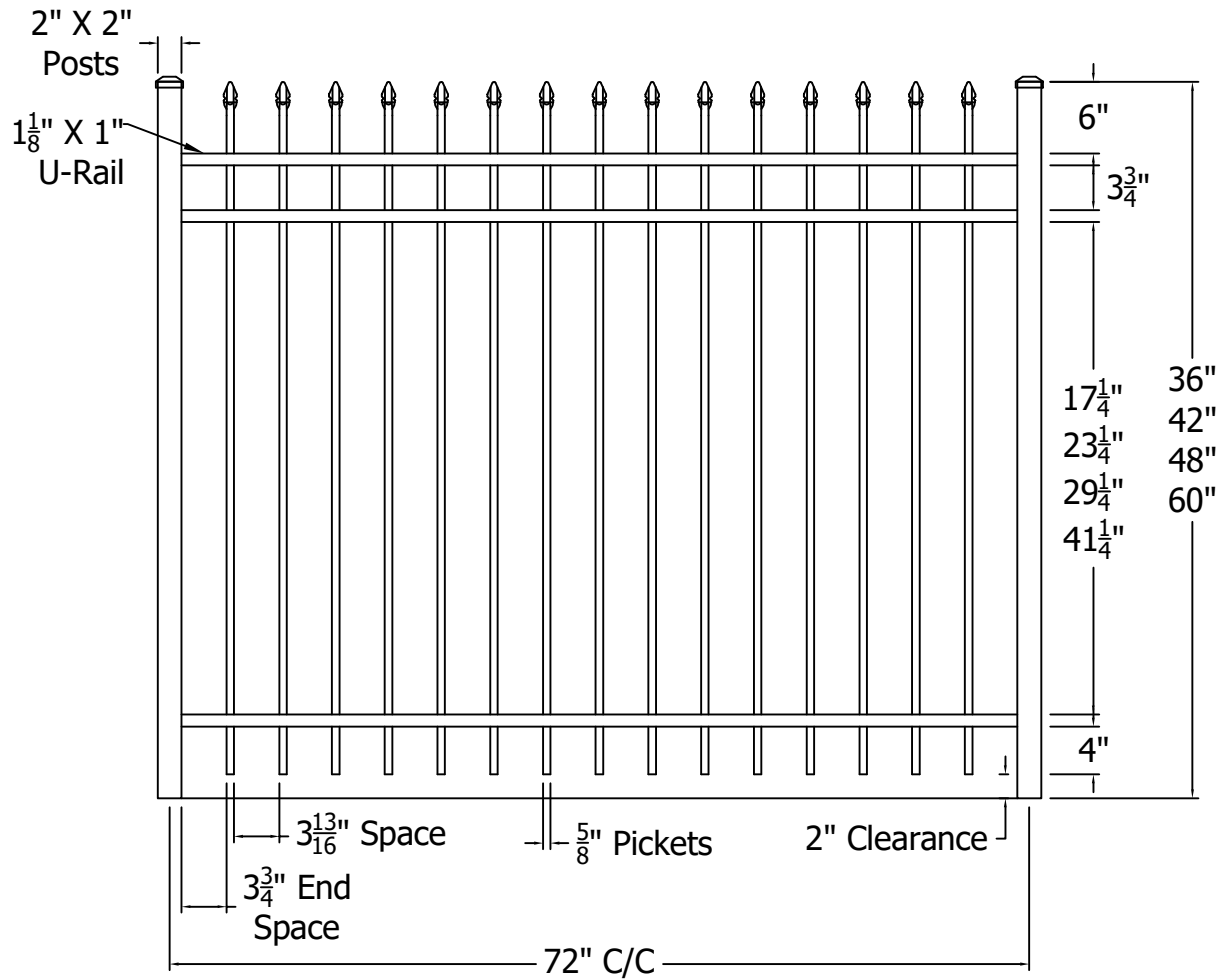





REV.	LOC.	REVISION	DATE



Finial Options	
 Quad	 Triad
 Fleur-de-lis	



DSI Digger Specialties Inc.
Transforming the Outdoor Living Experience™
 3446 US 6 EAST
 Bremen, IN 46506
 diggerspecialties.com

DRAWN BY: EH	STYLE:	0131
DATE DRAWN: 01-05-2021		
SCALE = 1":1"	AS SHOWN: 72" W 60" T	
DRAFT NO.: 20210105-1E	LOC: Z:\Aluminum\CourtYard\Hundred Series\Hundred SRS Sections\Updated Standard Drawings	REV. A

4

3

2

1

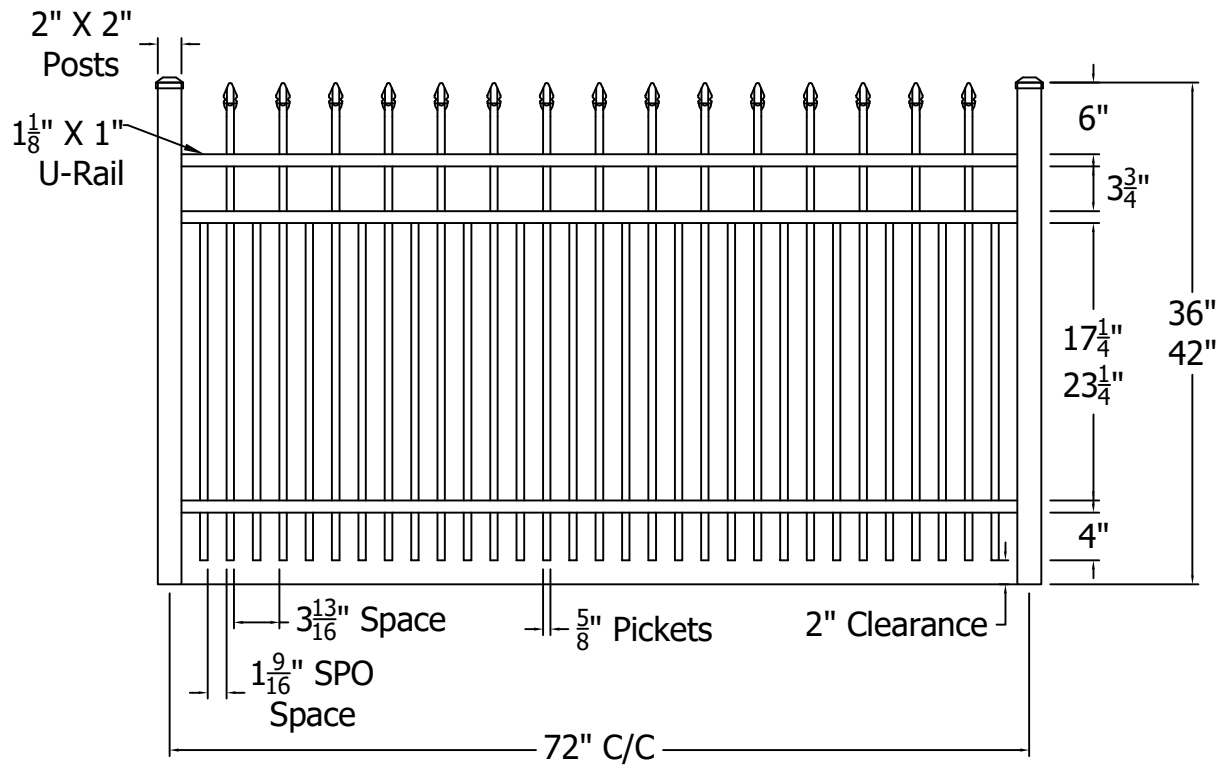
D




C

B

A

REV.	LOC.	REVISION	DATE



Finial Options	
 Quad	 Triad
 Fleur-de-lis	



DRAWN BY: EH	STYLE:	0131 Short Picket Option	REV. A
DATE DRAWN: 01-05-2021			
SCALE = 1":1"	AS SHOWN: 72" W 42" T		
DRAFT NO.: 20210105-1E	LOC: Z:\Aluminum\CourtYard\Hundred Series\Hundred SRS Sections\Updated Standard Drawings		

4

3

2

1

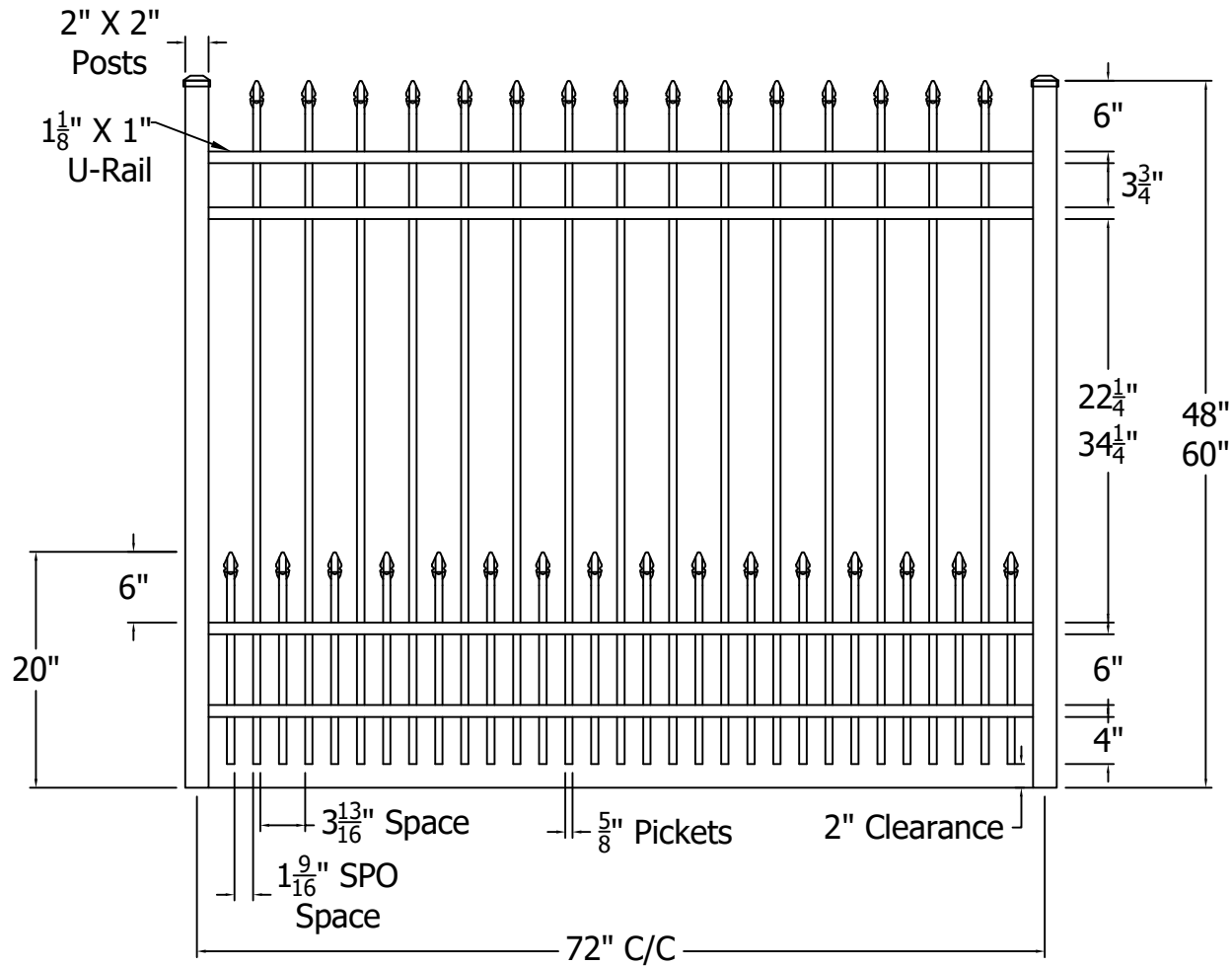
D




C

B

A

REV.	LOC.	REVISION	DATE



Finial Options	
 Quad	 Triad
 Fleur-de-lis	



DRAWN BY: EH	STYLE:
DATE DRAWN: 01-05-2021	0131 Short Picket Option
SCALE = 1":1"	AS SHOWN: 72" W 60" T
DRAFT NO.: 20210105-1E	LOC: Z:\Aluminum\CourtYard\Hundred Series\Hundred SRS Sections\Updated Standard Drawings
	REV. A

4

3

2

1

D

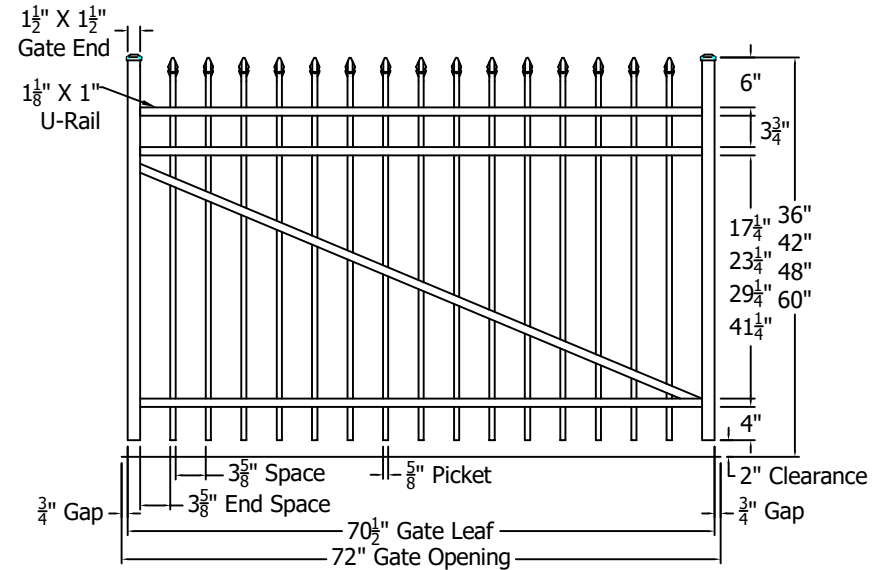
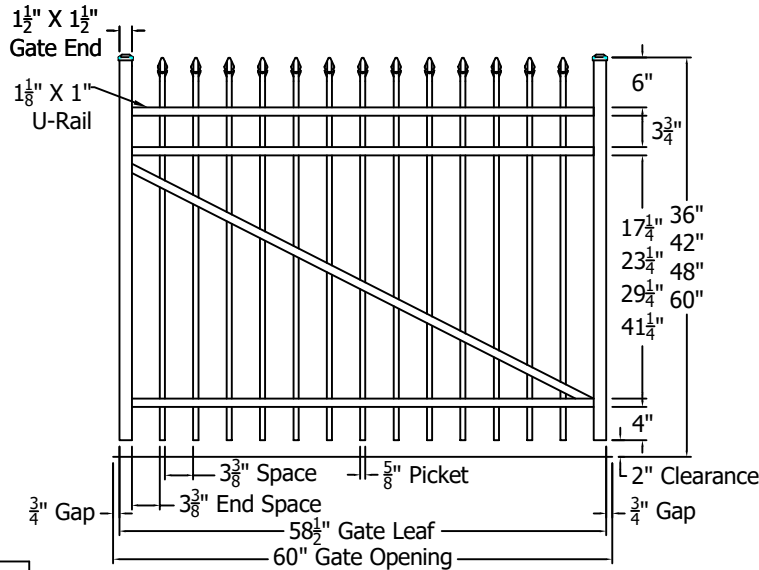
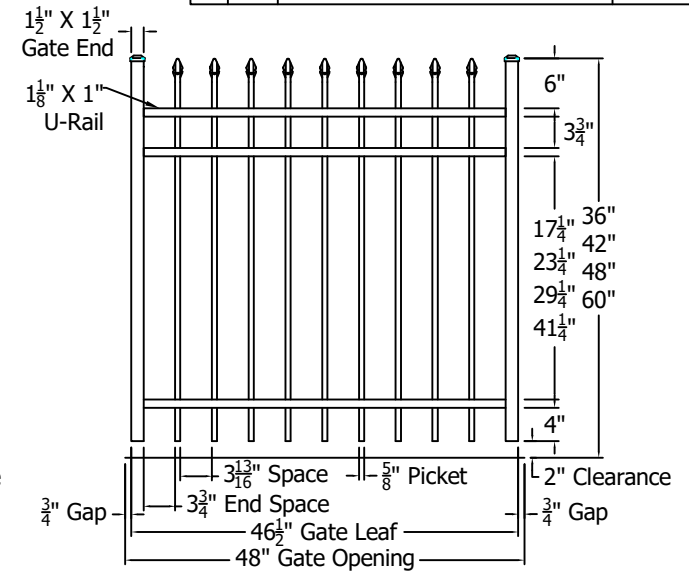
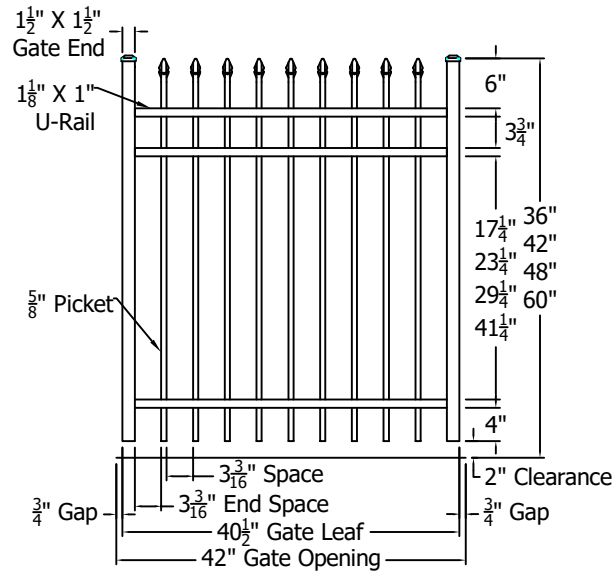
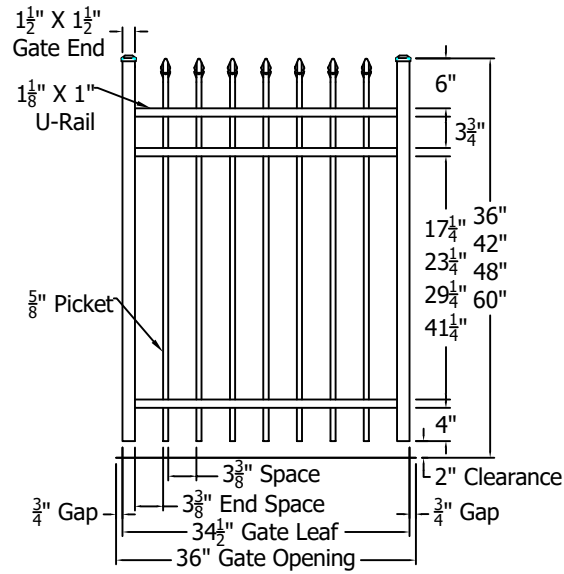
C




B



A

NOTE: Gates 36" Tall And Over 48" Wide Use 'V' Bracing

REV.	LOC.	REVISION	DATE



Finial Options	
	
Quad	Triad
	
Fleur-de-lis	

		DRAWN BY: EH	STYLE:
		DATE DRAWN: 01-05-2021	0131 Standard Gates
		SCALE = 1":1"	AS SHOWN: 48" T
		DRAFT NO.: 20210105-1E	LOC: Z:\Aluminum\CourtYard\Hundred Series\Hundred SRS Gates

4

3

2

1

D

C

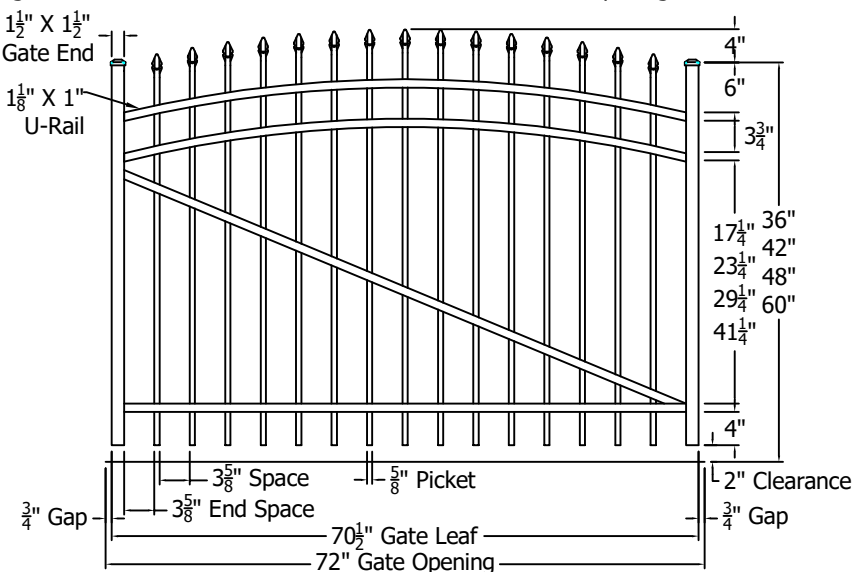
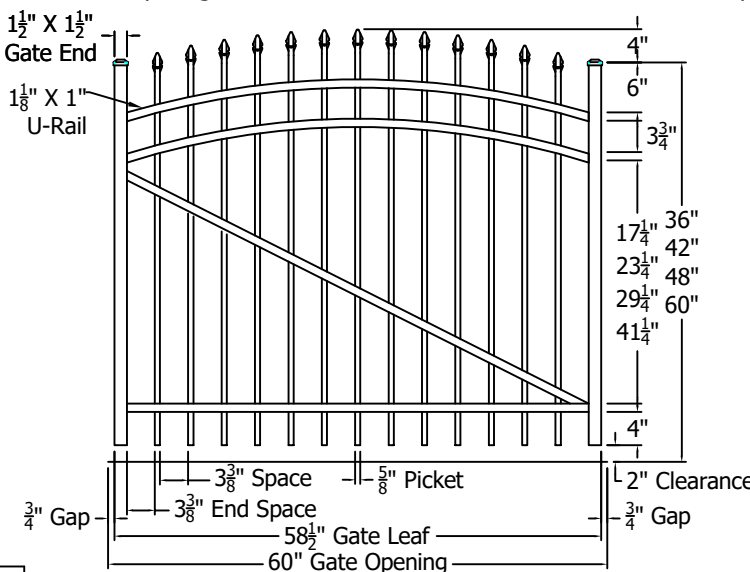
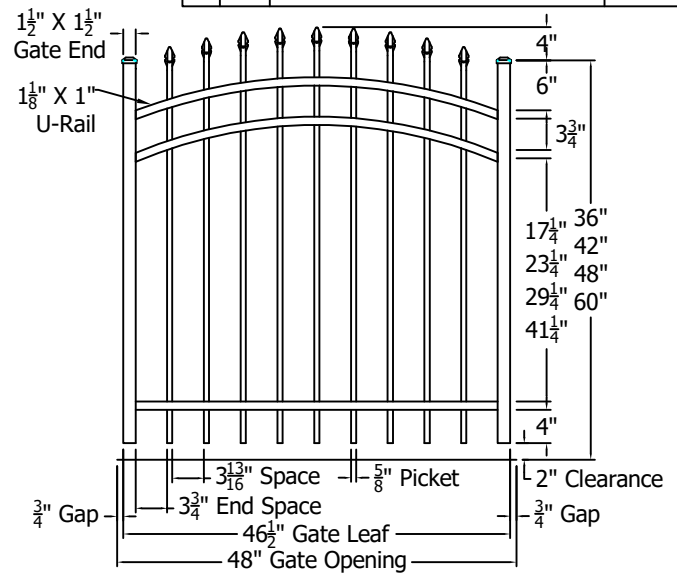
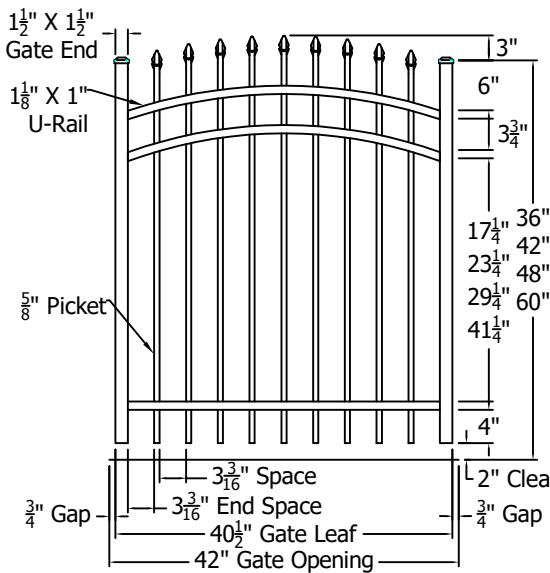
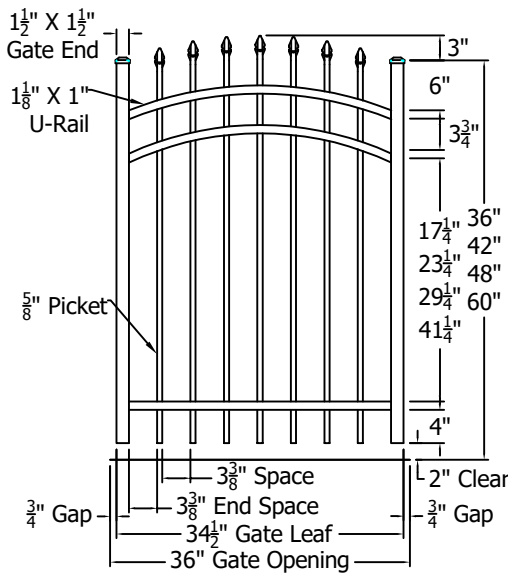
B

A

REV. A

NOTE: Gates 36" Tall And Over 48" Wide Use 'V' Bracing

REV.	LOC.	REVISION	DATE



Finial Options	
Quad	Triad
Fleur-de-lis	

	<p>Transforming the Outdoor Living Experience™</p> <p>3446 US 6 EAST Bremen, IN 46506 diggerspecialties.com</p>	DRAWN BY: EH	STYLE:
		DATE DRAWN: 01-05-2021	0131 Standard Gates Arched
		SCALE = 1":1"	AS SHOWN: 48" T
		DRAFT NO.: 20210105-1E	LOC: Z:\Aluminum\CourtYard\Hundred Series\Hundred SRS Gates
			REV. A

4

3

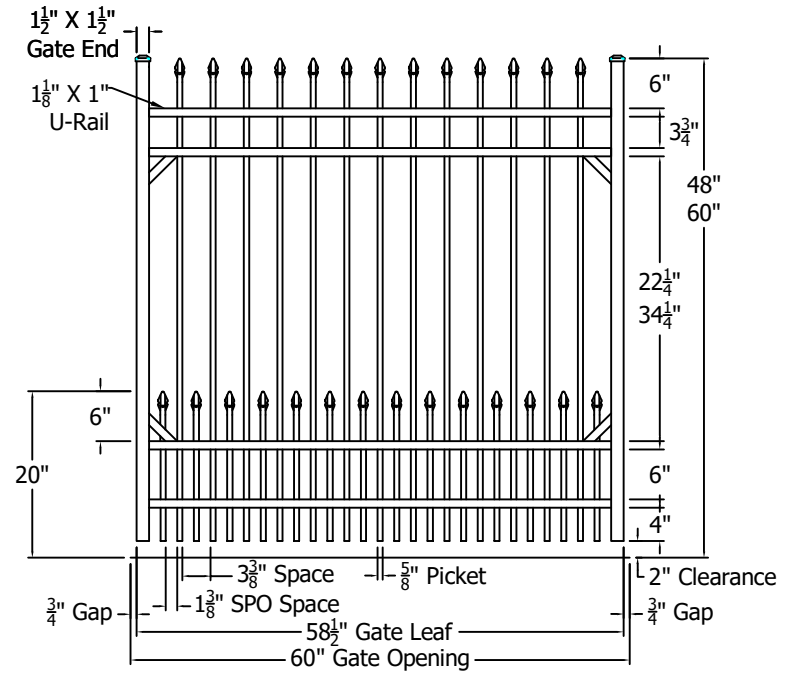
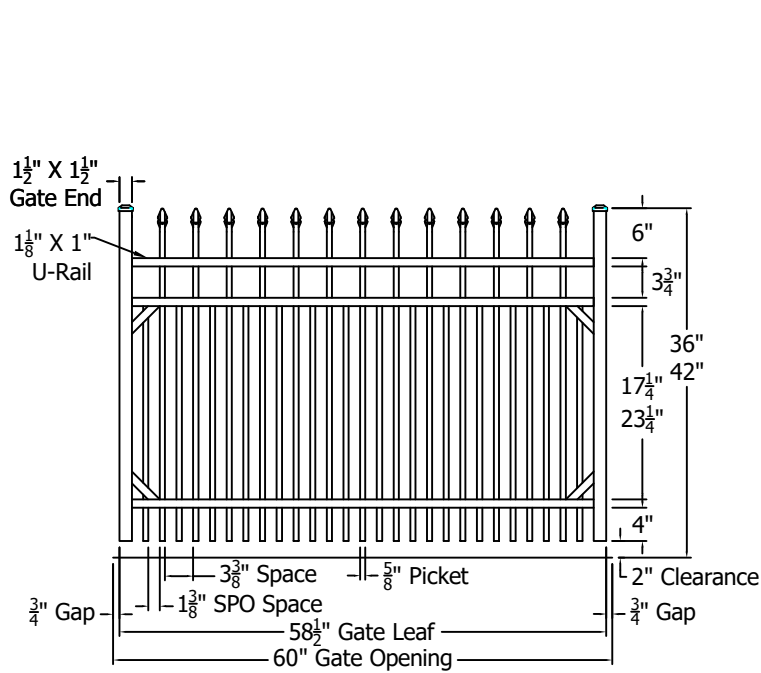
2




1



D
C
B
A

NOTE: Gusset Bracing Required On Gates Over 48" Wide

REV.	LOC.	REVISION	DATE



Finial Options	
 Quad	 Triad
 Fleur-de-lis	

	 Digger Specialties Inc. <i>Transforming the Outdoor Living Experience™</i> 3446 US 6 EAST Bremen, IN 46506 diggerspecialties.com	DRAWN BY: EH	STYLE:
		DATE DRAWN: 01-05-2021	0131 Standard Gates SPO
		SCALE = 1":1"	AS SHOWN: 42" T, 60" T
		DRAFT NO.: 20210105-1E	LOC: Z:\Aluminum\CourtYard\Hundred Series\Hundred SRS Gates
			REV. A

4

3

2

1

D

C

B

A