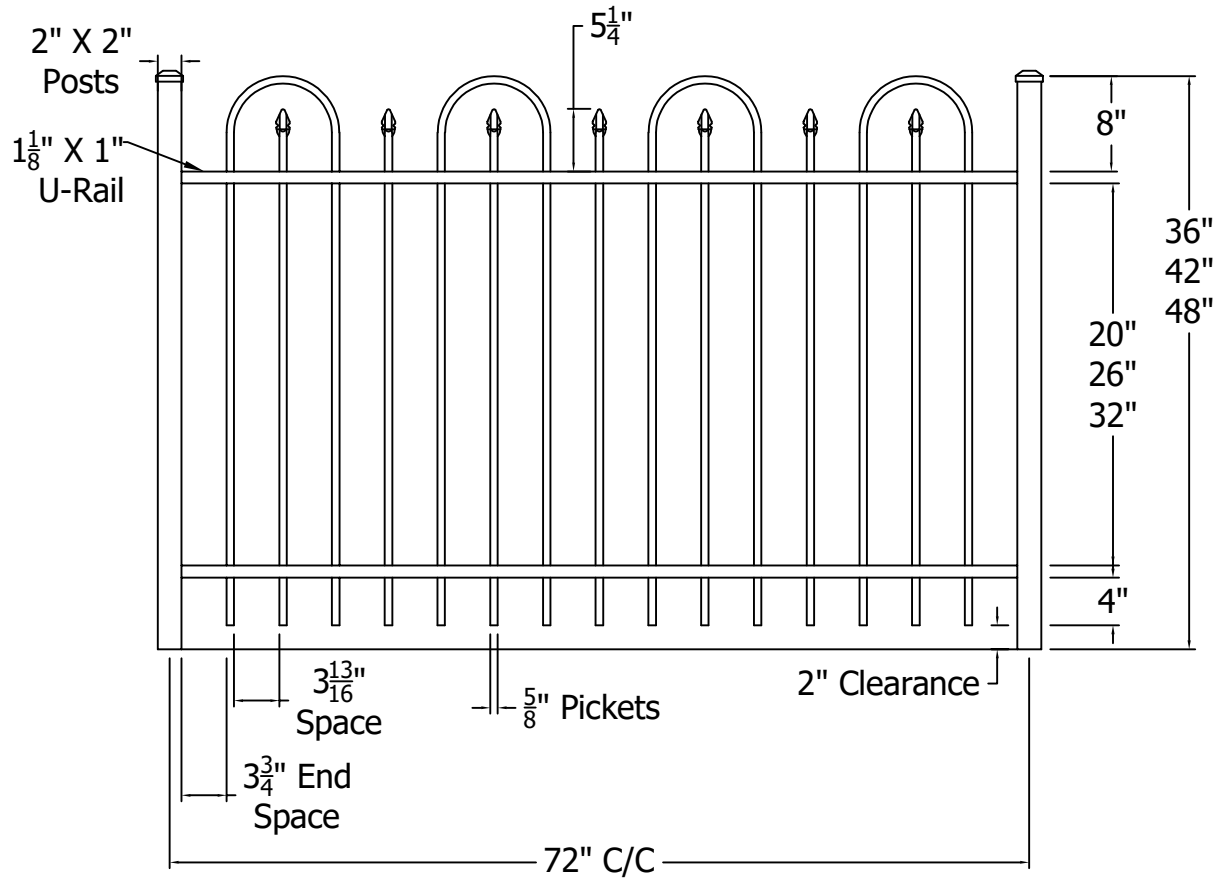







REV.	LOC.	REVISION	DATE



Finial Options	
 Quad	 Triad
 Fleur-de-lis	

	 Digger Specialties Inc. <i>Transforming the Outdoor Living Experience™</i>	DRAWN BY: EH	STYLE:
		DATE DRAWN: 01-05-2021	<b>0124</b>
		SCALE = 1":1"	AS SHOWN: 72" W 48" T
	3446 US 6 EAST Bremen, IN 46506 diggerspecialties.com	DRAFT NO.: 20210105-1E	LOC: Z:\Aluminum\CourtYard\Hundred Series\Hundred SRS Sections\Updated Standard Drawings
			REV. <b>A</b>

4

3

2

1

D

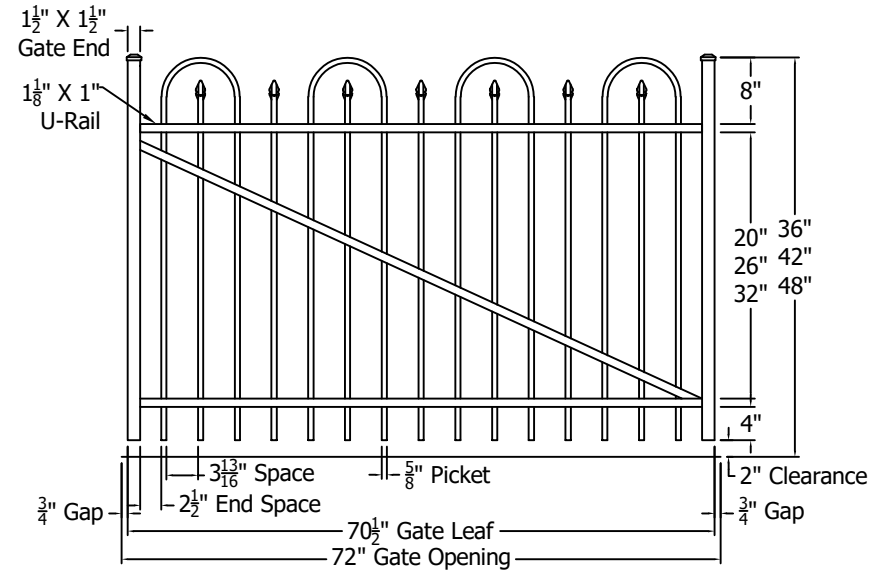
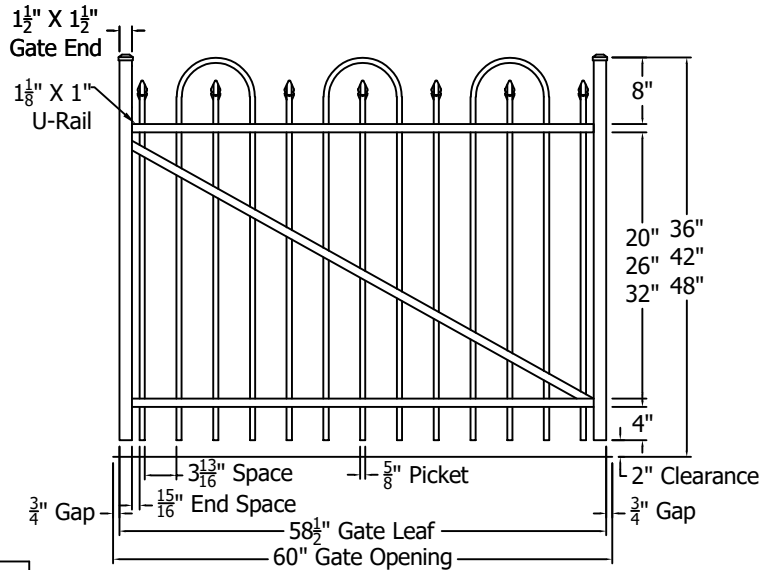
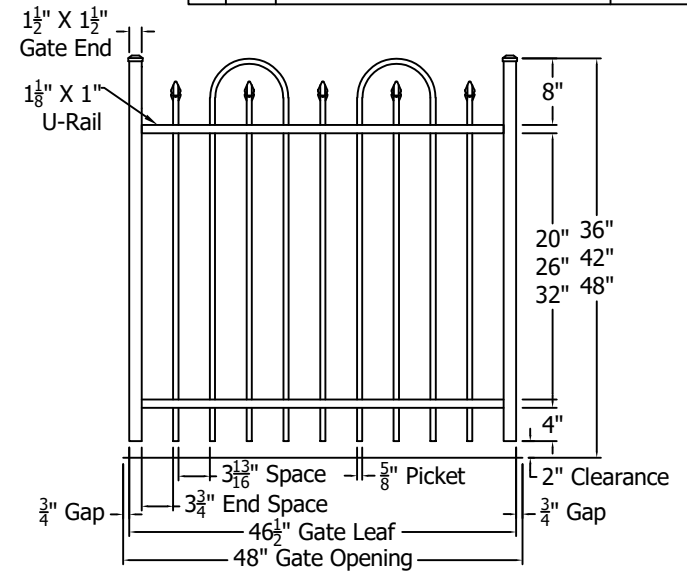
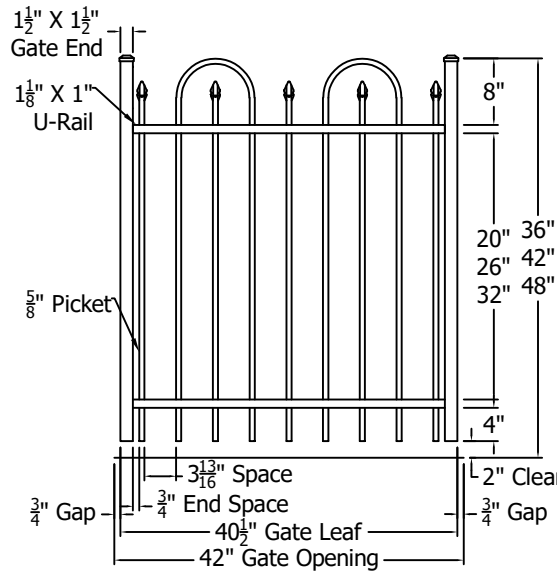
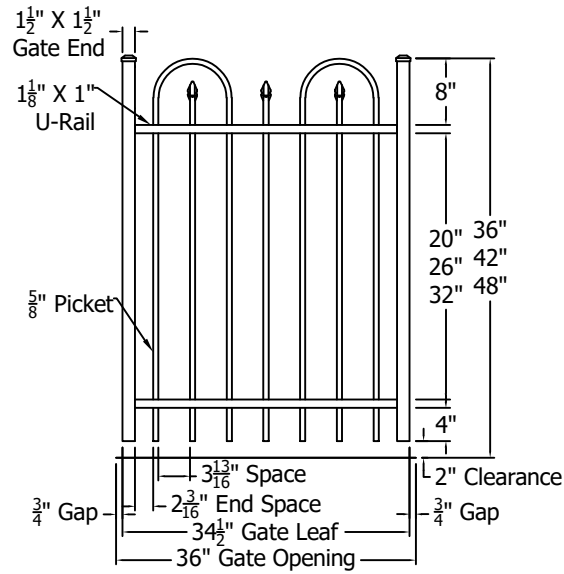
C

B

A

NOTE: Gates 36" Tall And Over 48" Wide Use 'V' Bracing

REV.	LOC.	REVISION	DATE



Finial Options	
Quad	Triad
Fleur-de-lis	

	<p>Transforming the Outdoor Living Experience™</p> <p>3446 US 6 EAST Bremen, IN 46506 diggerspecialties.com</p>	DRAWN BY: EH DATE DRAWN: 01-05-2021	STYLE: <b>0124 Standard Gates</b>
		SCALE = 1":1"	AS SHOWN: 48" T
		DRAFT NO.: 20210105-1E	LOC: Z:\Aluminum\CourtYard\Hundred Series\Hundred SRS Gates
		REV. A	REV. A

4

3

2

1

D

C

B

A